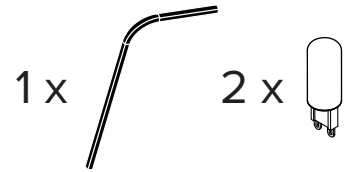
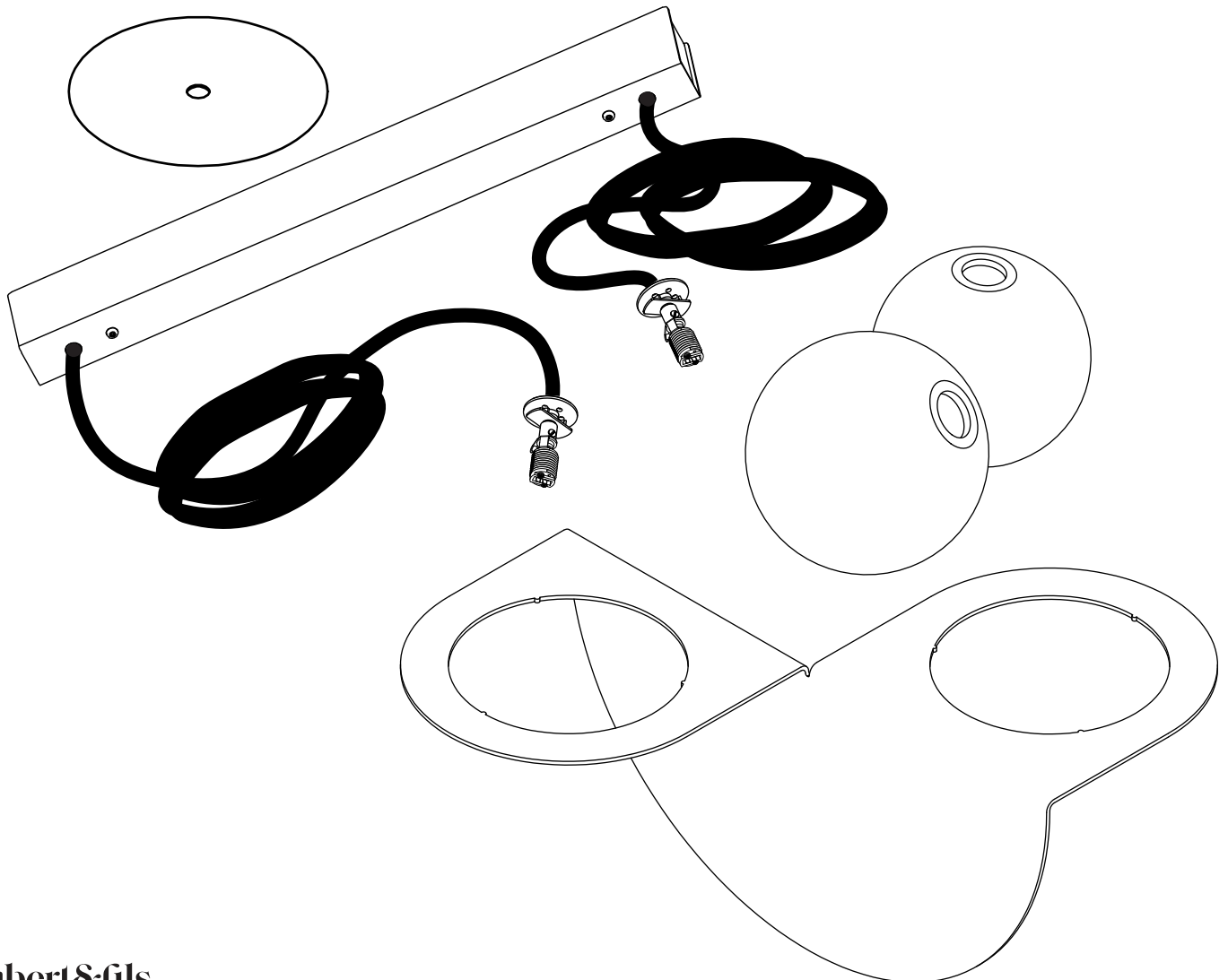
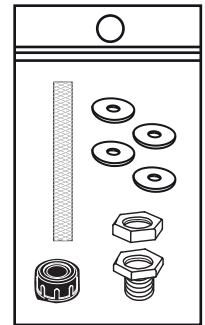


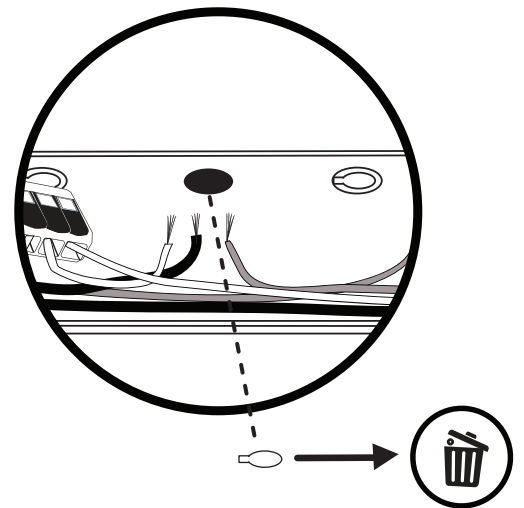
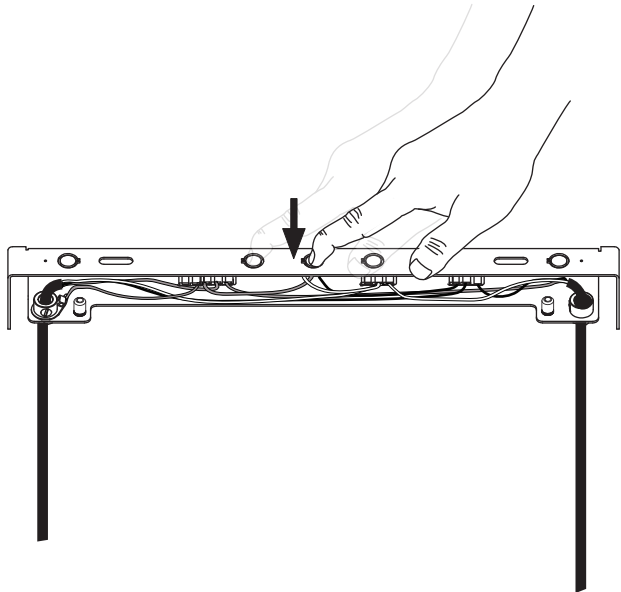
LAURENT 01



- To be installed by an electrician to an electrical box
- Use appropriate screws and anchors where necessary
- Wear enclosed gloves when handling lamp
- Handle materials with care. Please consult lamp maintenance sheet on our web site
- Should be used exclusively as a lamp and not as a shelving, display or hanging unit

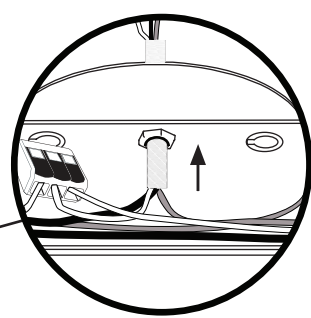
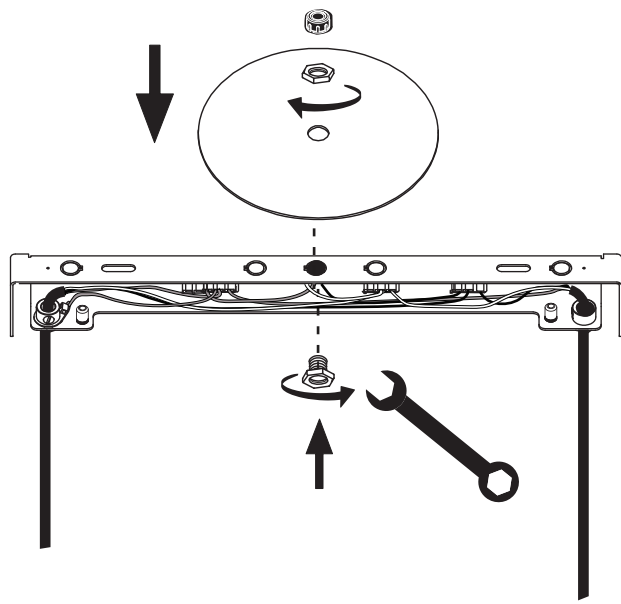


1

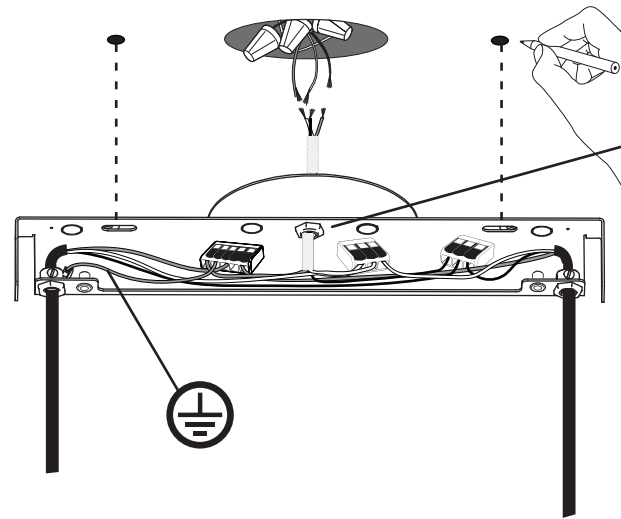


Knockout selected hole depending on desired electrical box alignment.

2



3

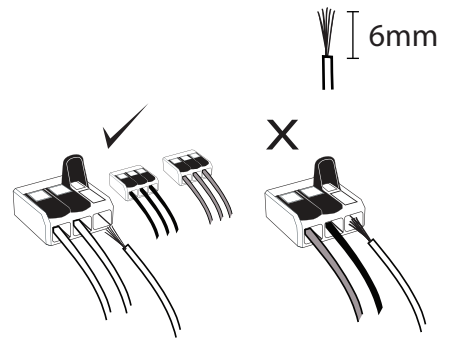
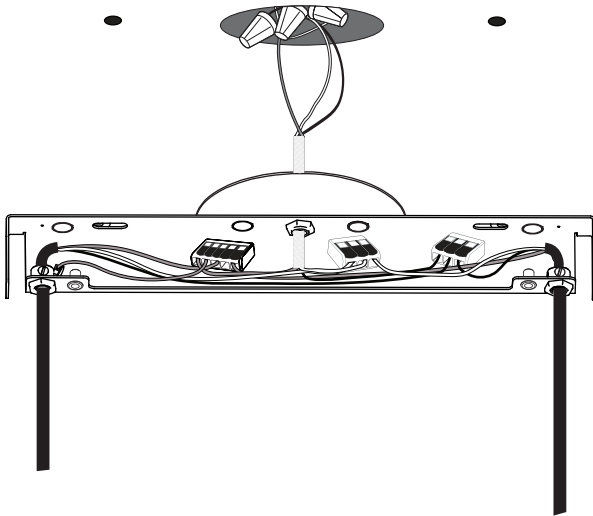


Before marking your anchor locations, align the ceiling bracket with the center of your junction box.

Feed wires through anti-abrasive sleeve before making connection

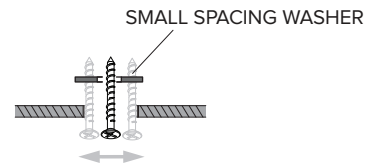
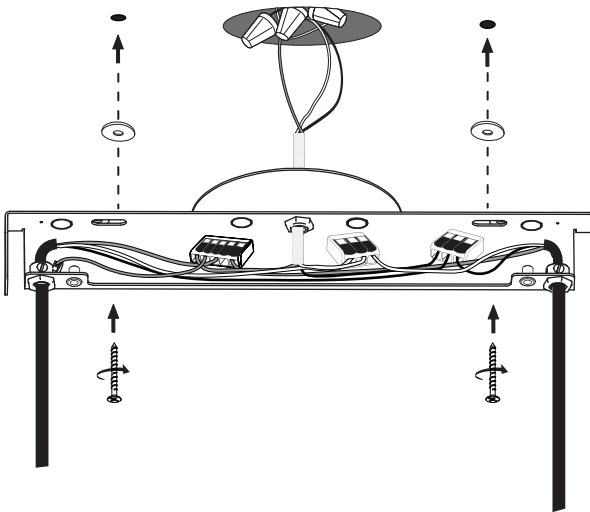
Make sure to use appropriate anchors for ceiling material.

4



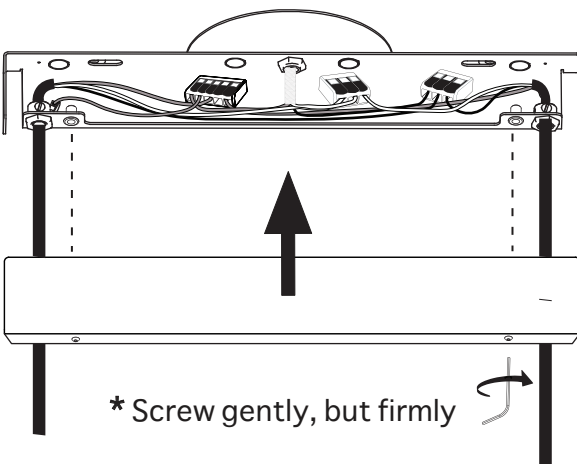
Make connection

5

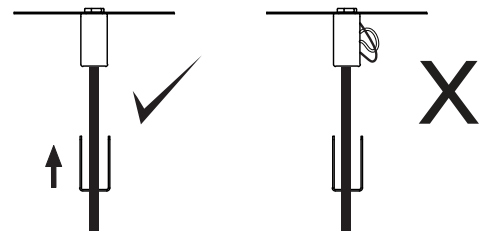


Avoid scuffing wires during this operation.

6

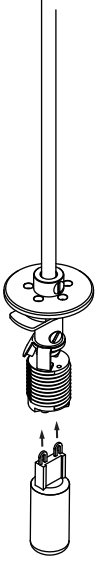


* Screw gently, but firmly

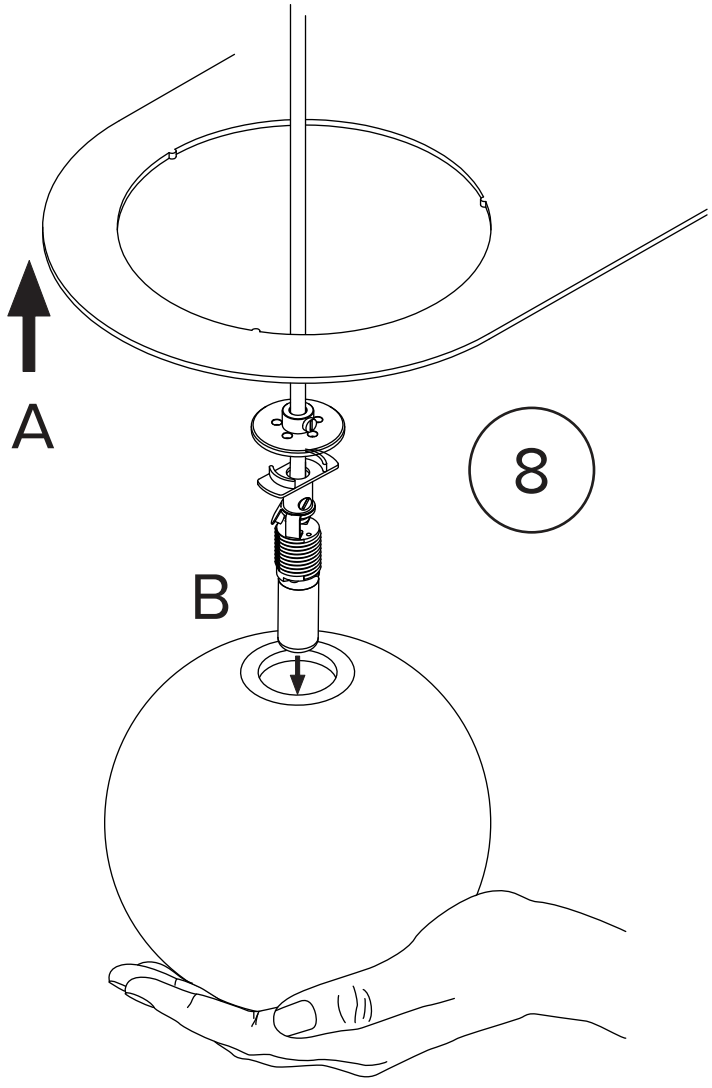


Ensure no wires are clipped or pinched during this operation.

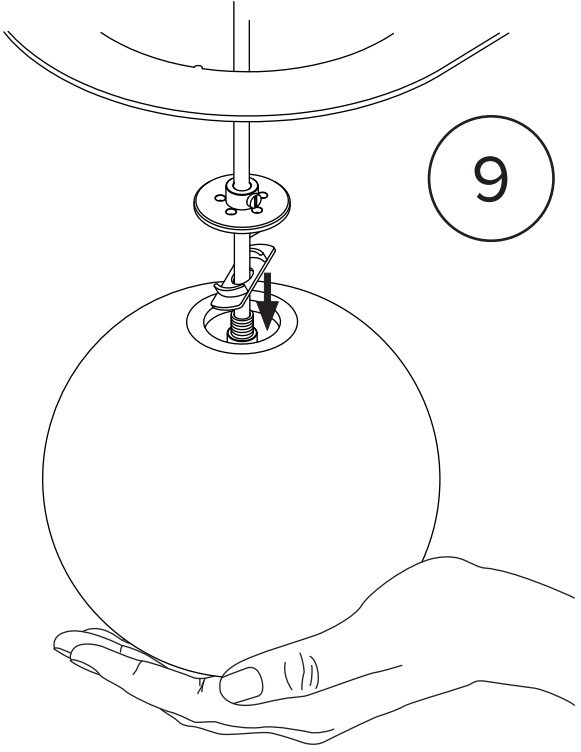
7

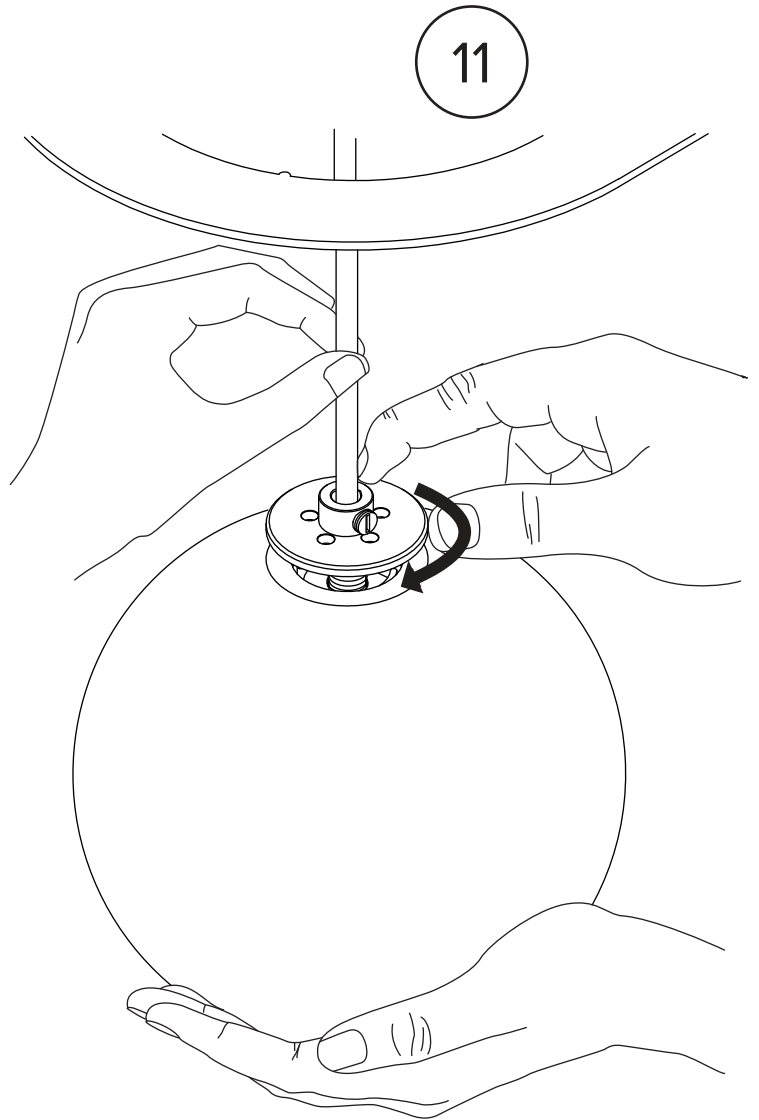
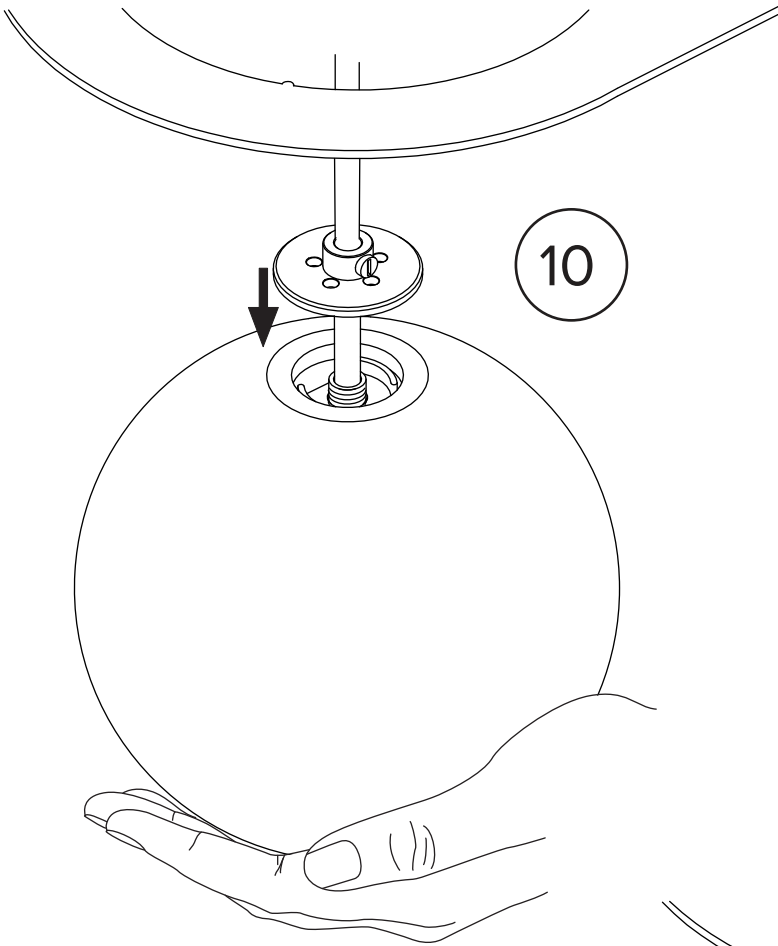


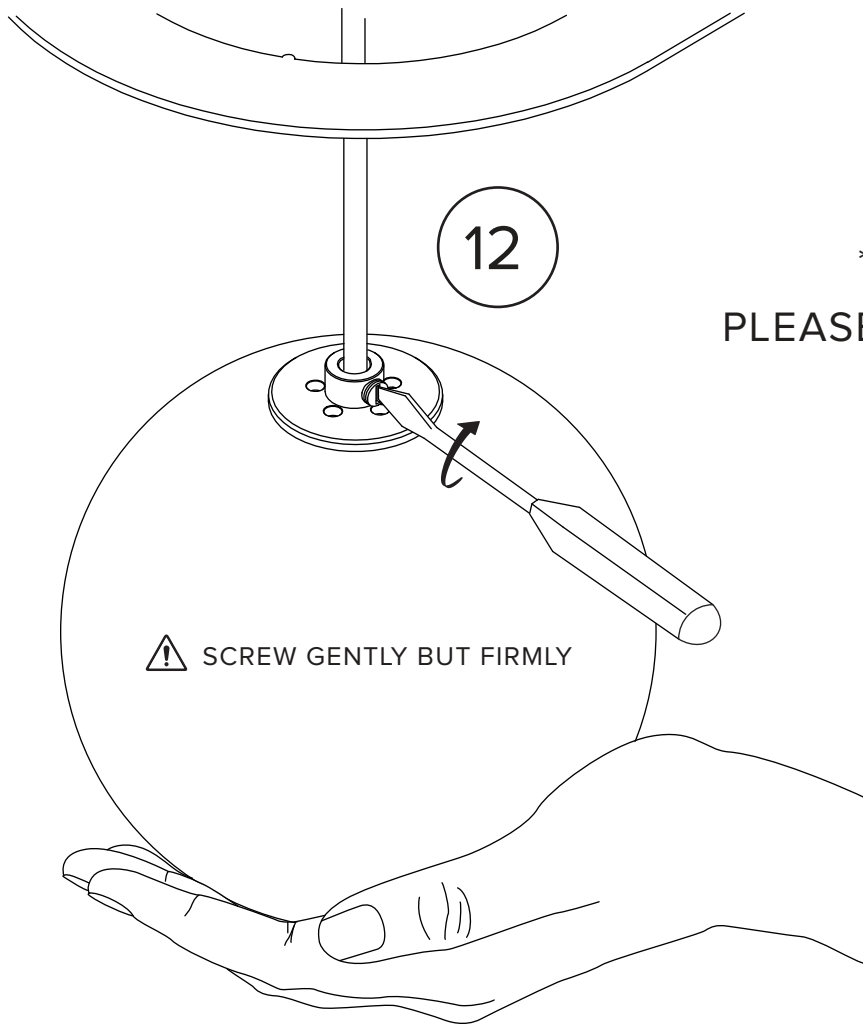
8



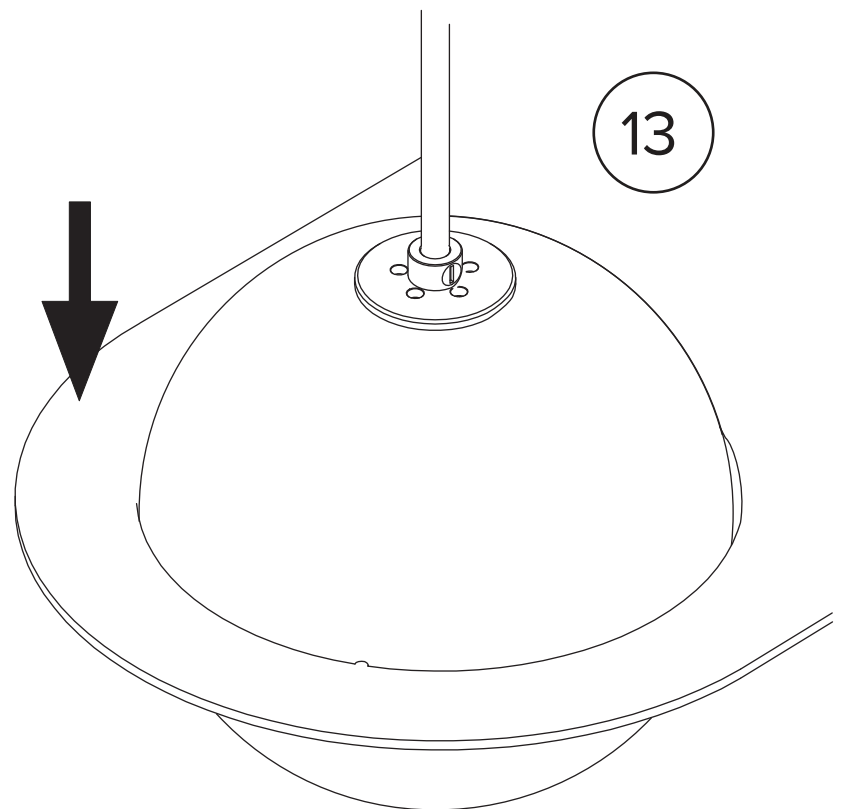
9



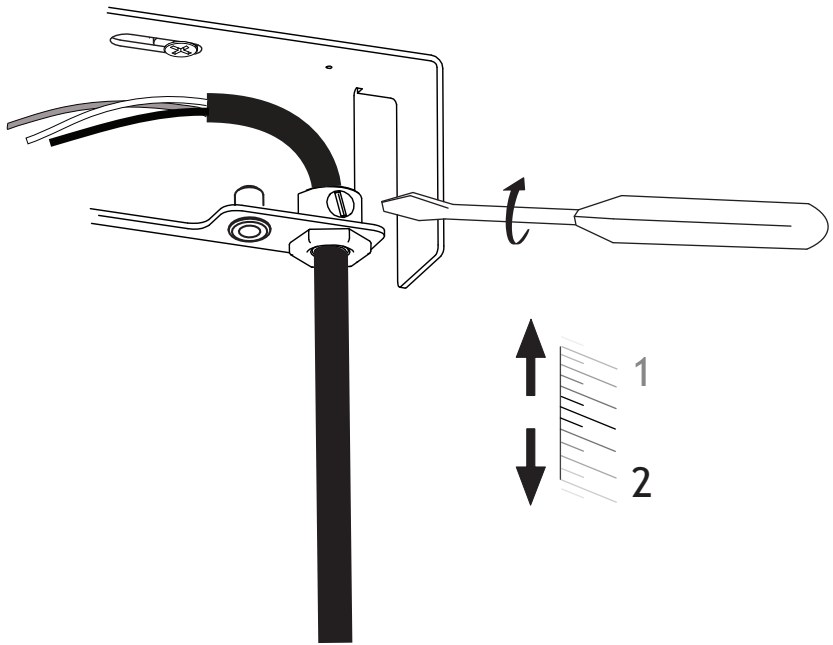




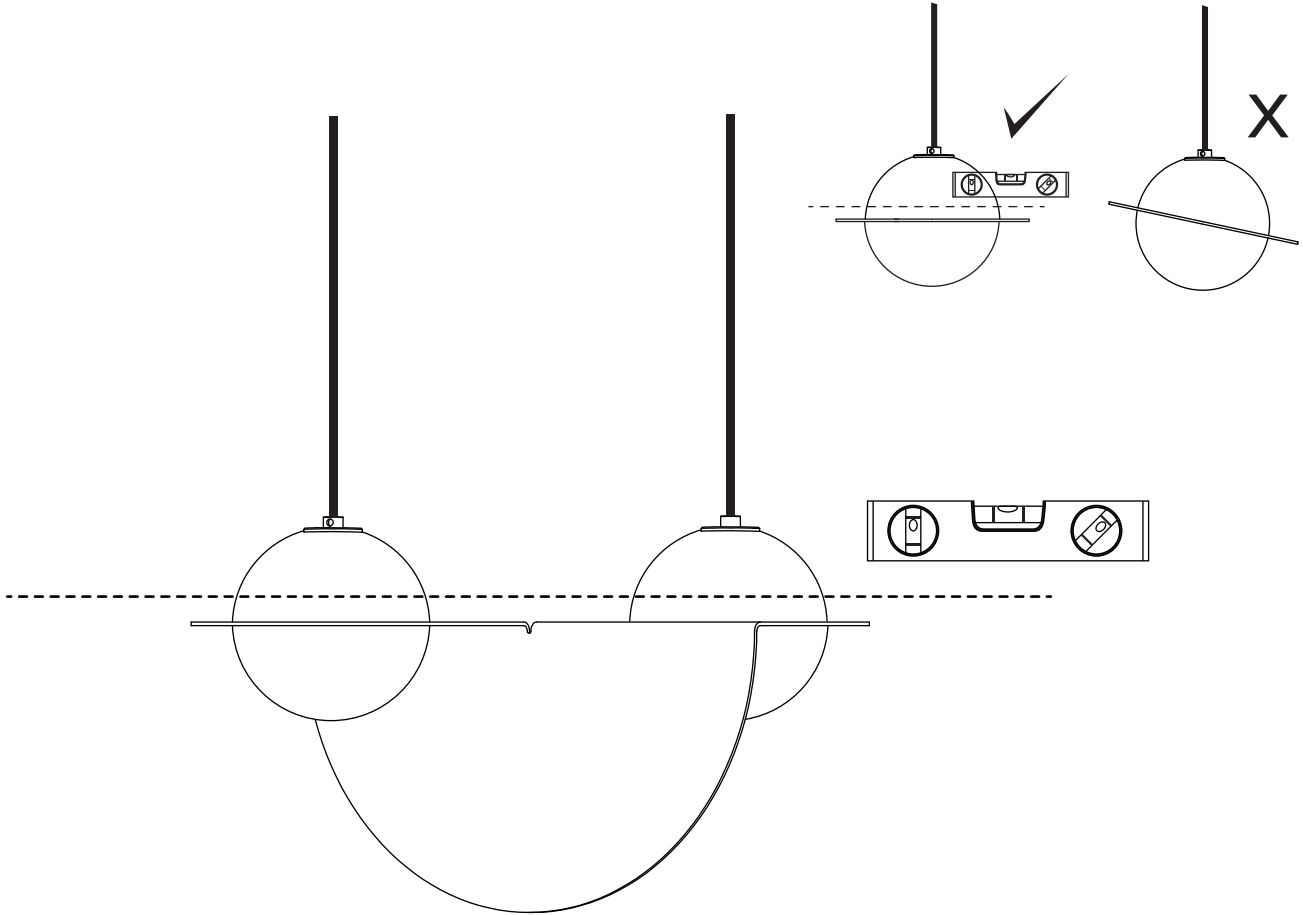
* To ensure safety,
PLEASE FOLLOW THESE STEPS
CAREFULLY

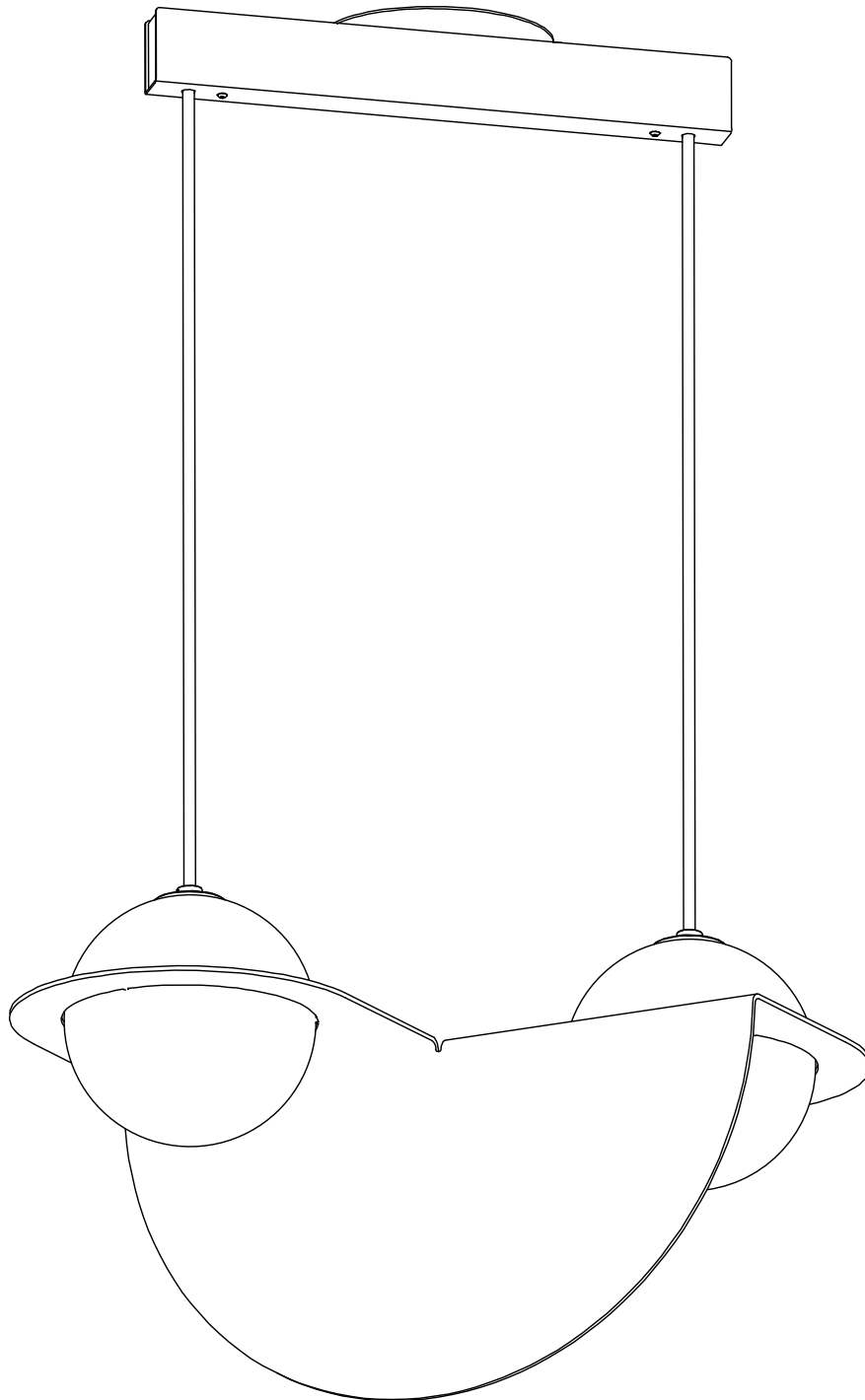


14



Make sure the globes are level by micro-adjusting the wire lengths.
SCREW GENTLY BUT FIRMLY





lambert&fils