
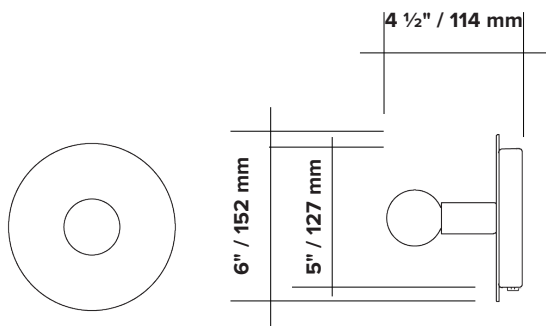


DOT WALL

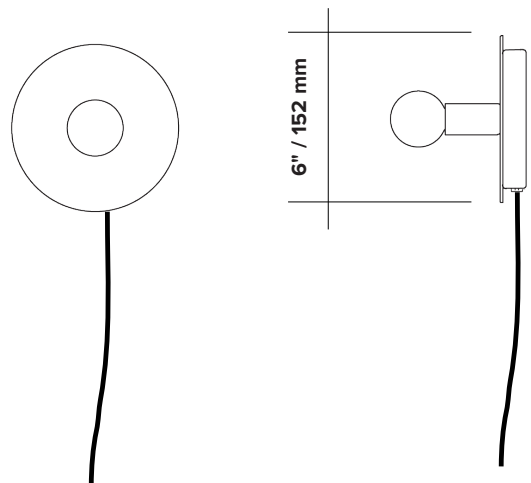


<b>type</b>	wall	
<b>materials</b>	body :	brass (BR) or powdercoated steel and aluminium (BL/WH)
	sphere :	milk glass (G50)
<b>wire length (software)</b>	96" / 2438 mm switch positioned at 18"/457 mm from body	
<b>weight</b>	1.5 lb / 0.7 kg	
<b>light bulb</b>	LED (included), 3,5W	
<b>sockets</b>	G9	
<b>voltage</b>	120V / 240V	
<b>dimmer</b>	For hardwire installation only refer to our recommended list of dimmer models	
<b>certifications</b>		
<b>notes</b>	<ul style="list-style-type: none"> <li>- must be installed by an electrician</li> <li>- lead time between 8-9 weeks</li> <li>- dimensions are approximate and may vary slightly</li> </ul>	

HARDWIRE



SOFTWARE



## ORDER GUIDE: SKU

<u>COLLECTION</u>	<u>MODEL</u>	<u>FINISH</u>	<u>INSTALLATION</u>	
<b>DOT</b> dot	<b>03</b>	<b>BR</b> brass <b>BL</b> black <b>WH</b> white	<b>HW</b> hardwire <b>SW</b> softwire	
DOT	03	BR	HW	= <b>DOT03BRHW</b> <b>example</b>

### FINISH



brass

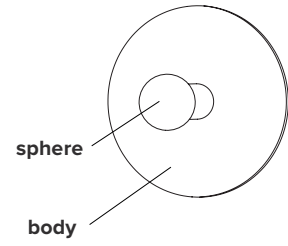


black

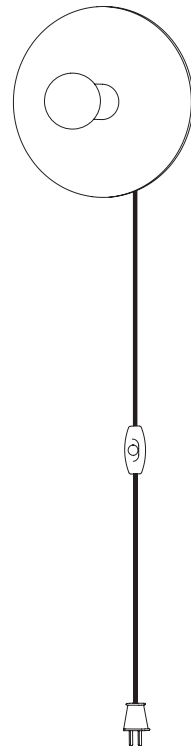


white

### HARDWIRE

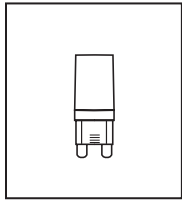


### SOFTWIRE



## LIGHT BULB & DIMMER SPECIFICATIONS

### G9 SOCKETS



Frosted  
3.5W  
100V-120V / 240V  
350 Lumens  
2700 K  
25 000 H  
CRI ≥80  
2 years warranty



### SPHERES



G100  $\varnothing \pm 4" / 100 \text{ mm}$



G80  $\varnothing \pm 3" / 80 \text{ mm}$



G60  $\varnothing \pm 2" / 60 \text{ mm}$



G50  $\varnothing \pm 2" / 50 \text{ mm}$



tube  $\varnothing 1" / 27 \text{ mm}$   
length  $\pm 2" / 60 \text{ mm}$

### DIMMER LIST COMPATIBILITY FOR G9 LED BULBS – 120V

The dimming technology offering the best results is ELV (electronic low voltage) dimmers with reverse phase or trailing edge control.

<u>DIMMER BRAND</u>	<u>MODEL NUMBER</u>	<u>MAX LEVEL</u>	<u>MIN LEVEL</u>	<u>FLICKERING</u>	<u>OVERALL QUOTE</u>
LUTRON - MAESTRO	MAELV-600	100%	0%	0%-10%	good
LUTRON - SKYLARK	SELV-300P	100%	0%	no	very good
LUTRON - SKYLARK	SELV-303P	100%	0%	no	very good
LUTRON - SKYLARK	CTELV-303P	100%	0%	no	very good
LUTRON - DIVA	DVELV-300P	100%	0%	no	very good
LEGRAND - ADORNE	TRUE UNIVERSAL	100%	30%	no	good

### DIMMER LIST COMPATIBILITY FOR G9 LED BULBS – 230V

<u>DIMMER BRAND</u>	<u>MODEL NUMBER</u>	<u>MAX LEVEL</u>	<u>MIN LEVEL</u>	<u>FLICKERING</u>	<u>OVERALL QUOTE</u>
VARILIGHT	V-PRO	100%	2%	no	very good
LEGRAND - NILOÉ	3 996 35	87%	15%	no	good
NIKO	310-0280X	94%	5%	no	very good
NIKO	310-0190X	100%	1%	no	very good

\*Other dimmers can yield good results and we recommend conducting your own test before final installation.