

# LAURENT 03

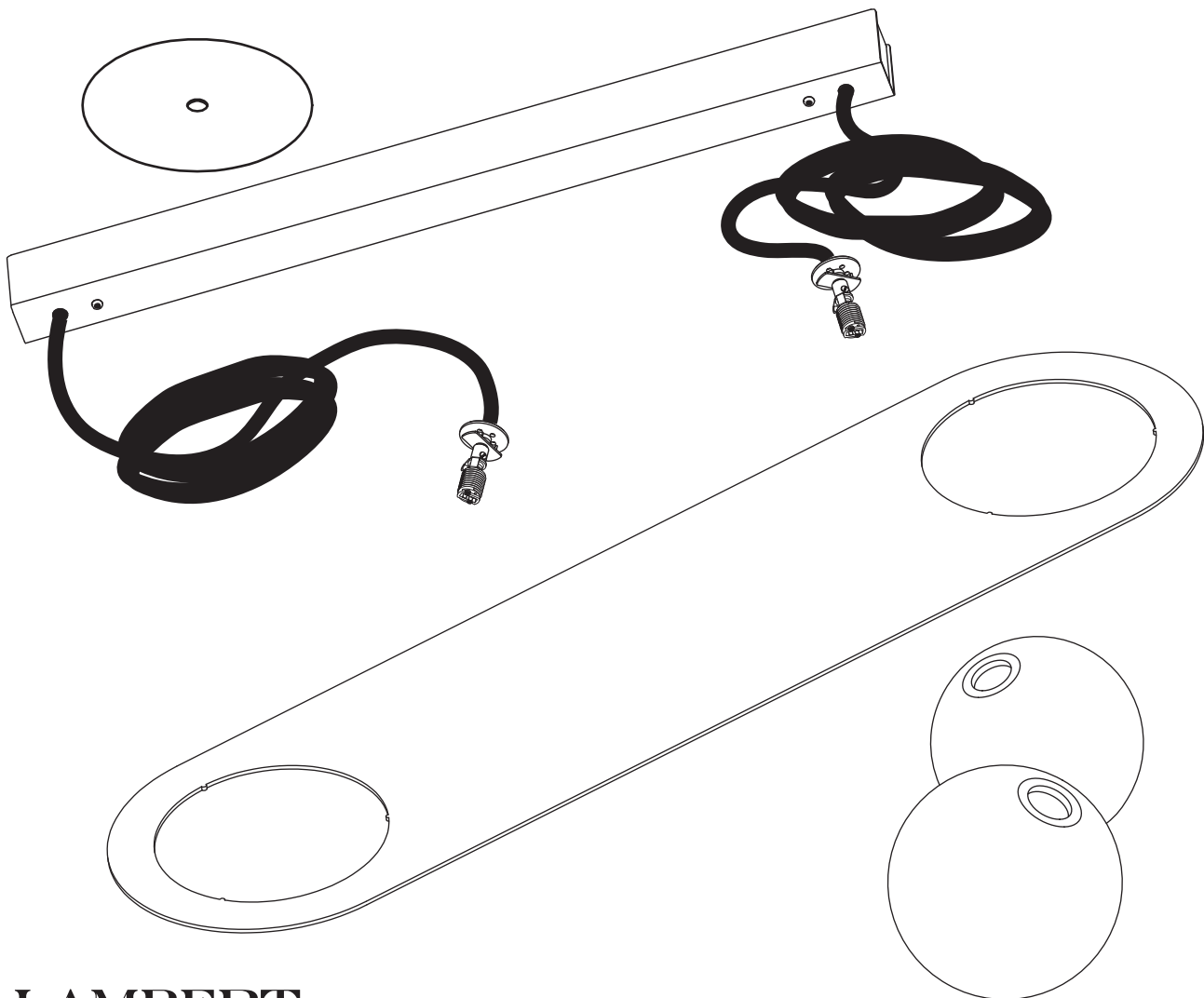
1 x



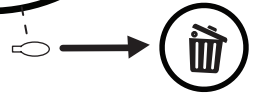
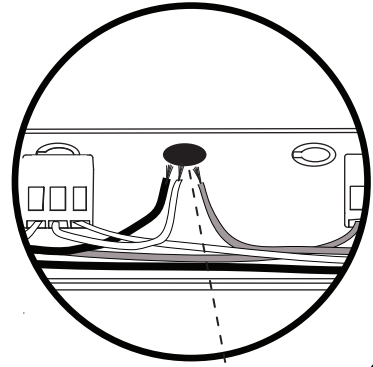
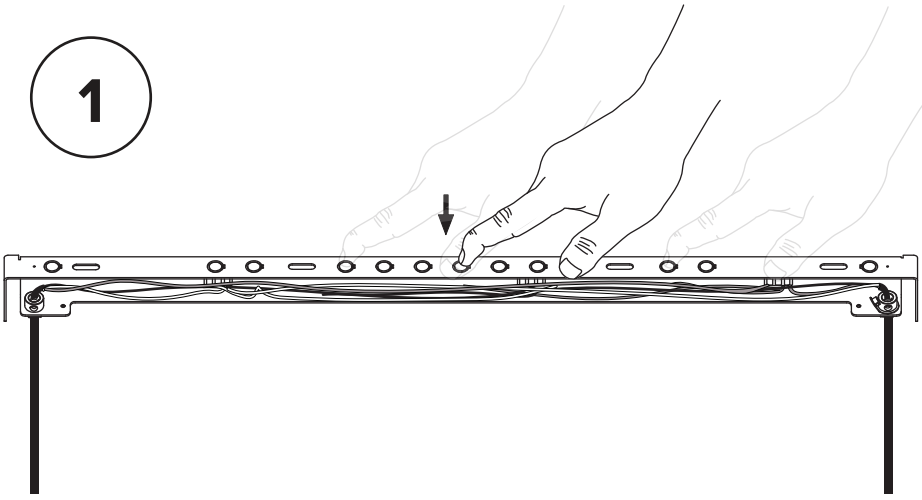
2 x



- To be installed by an electrician to an electrical box
- Use appropriate screws and anchors where necessary
- Wear enclosed gloves when handling lamp
- Handle materials with care. Please consult lamp maintenance sheet on our web site
- Should be used exclusively as a lamp and not as a shelving, display or hanging unit

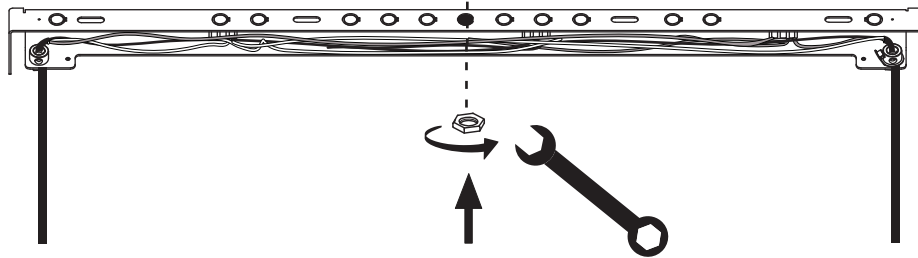
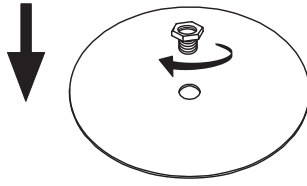


1

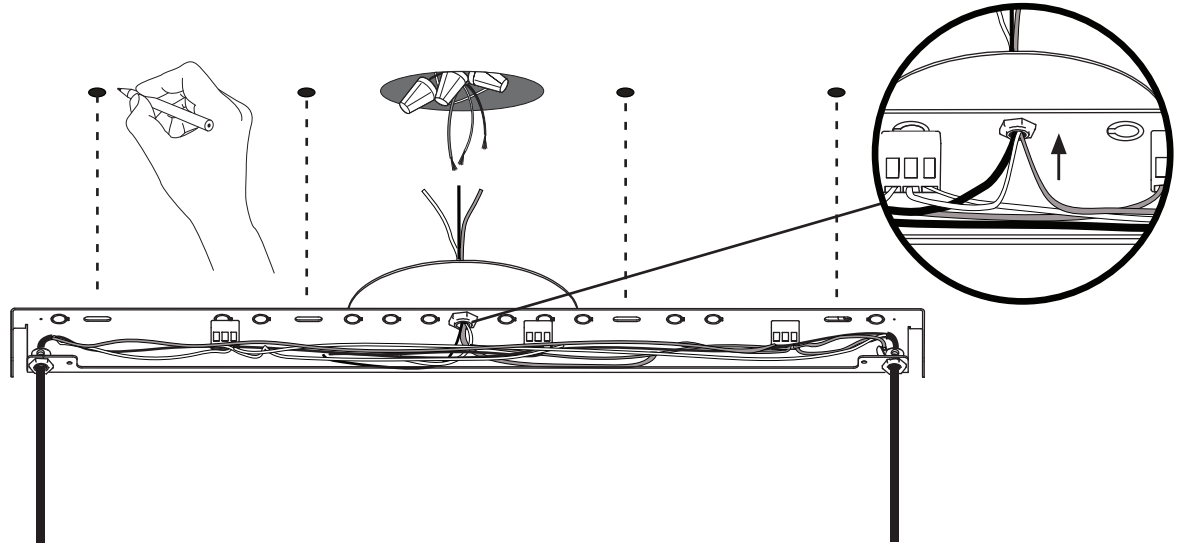


Knockout selected hole depending on desired electrical box alignment.

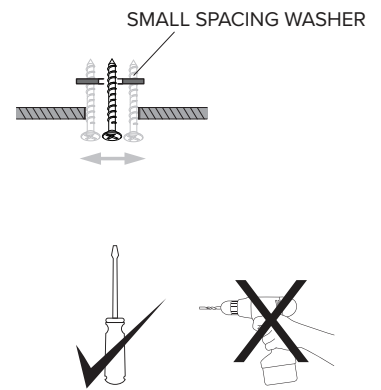
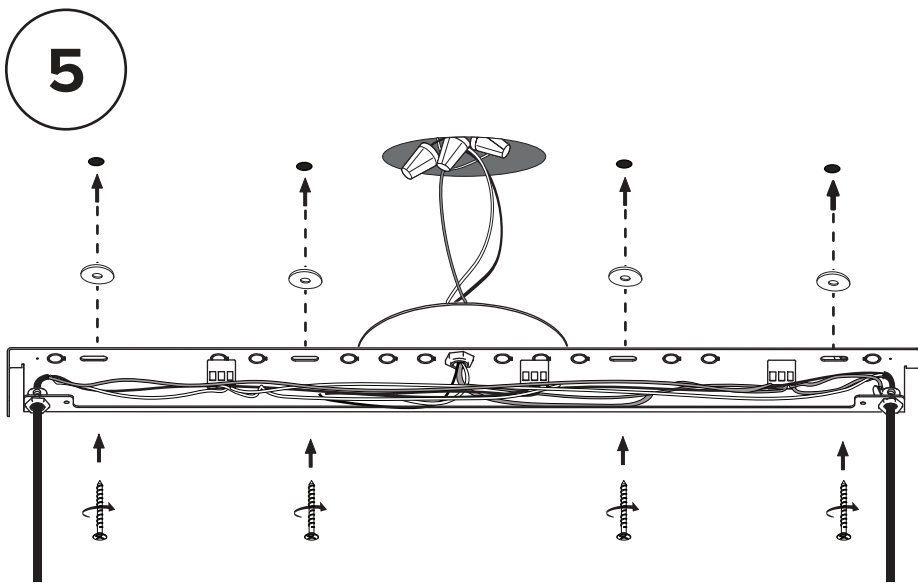
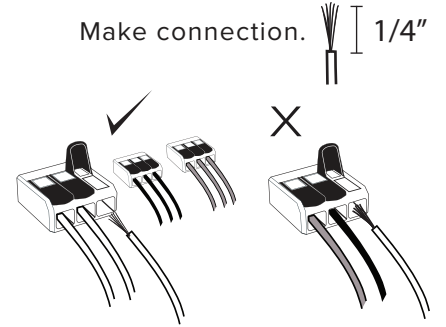
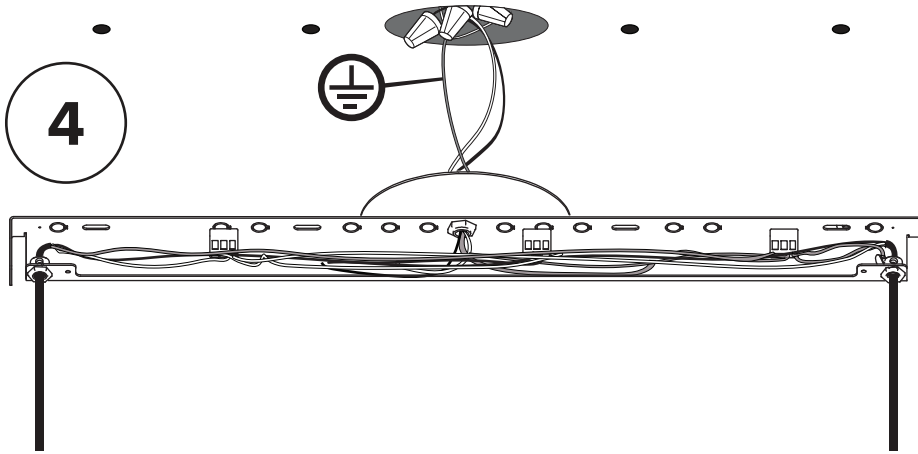
2



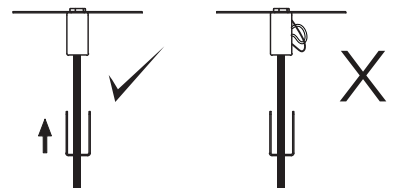
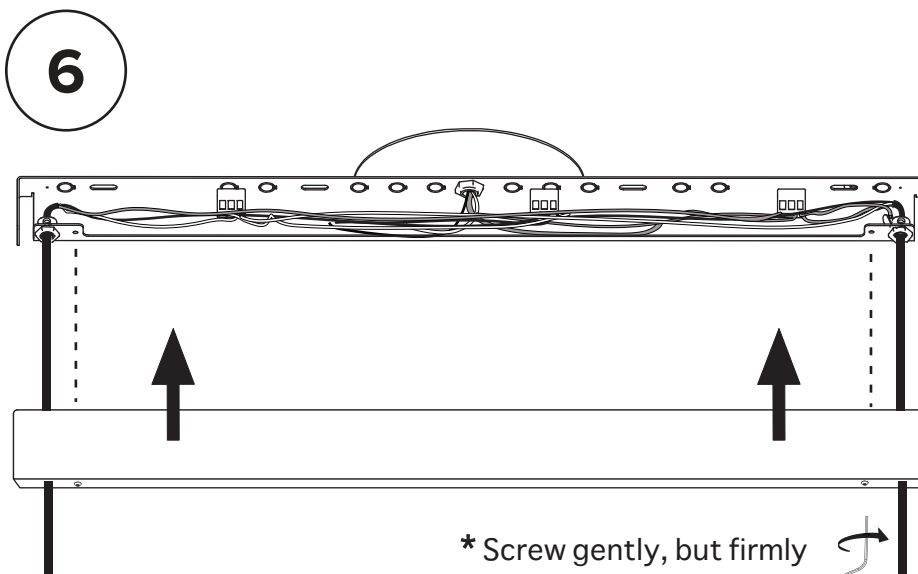
3



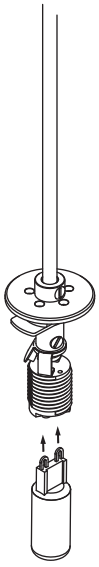
Before marking your anchor locations, align the ceiling bracket with the center of your junction box.  
**Make sure to use appropriate anchors for ceiling material.**



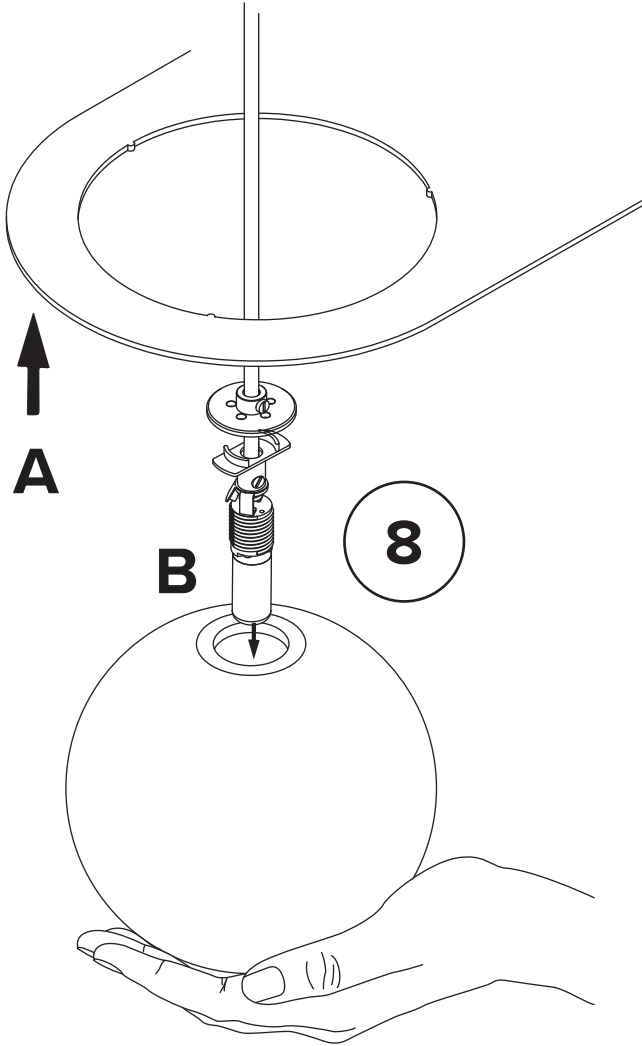
Avoid scuffing the wires during this operation.



Ensure no wires are clipped or pinched during this operation.



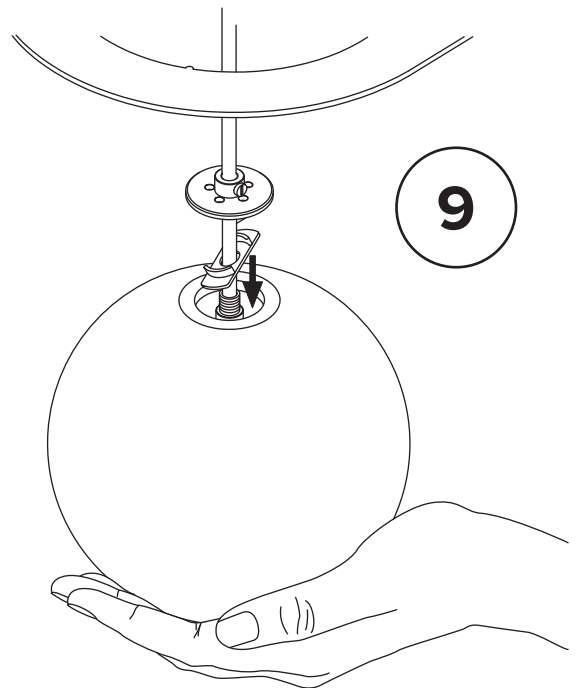
7



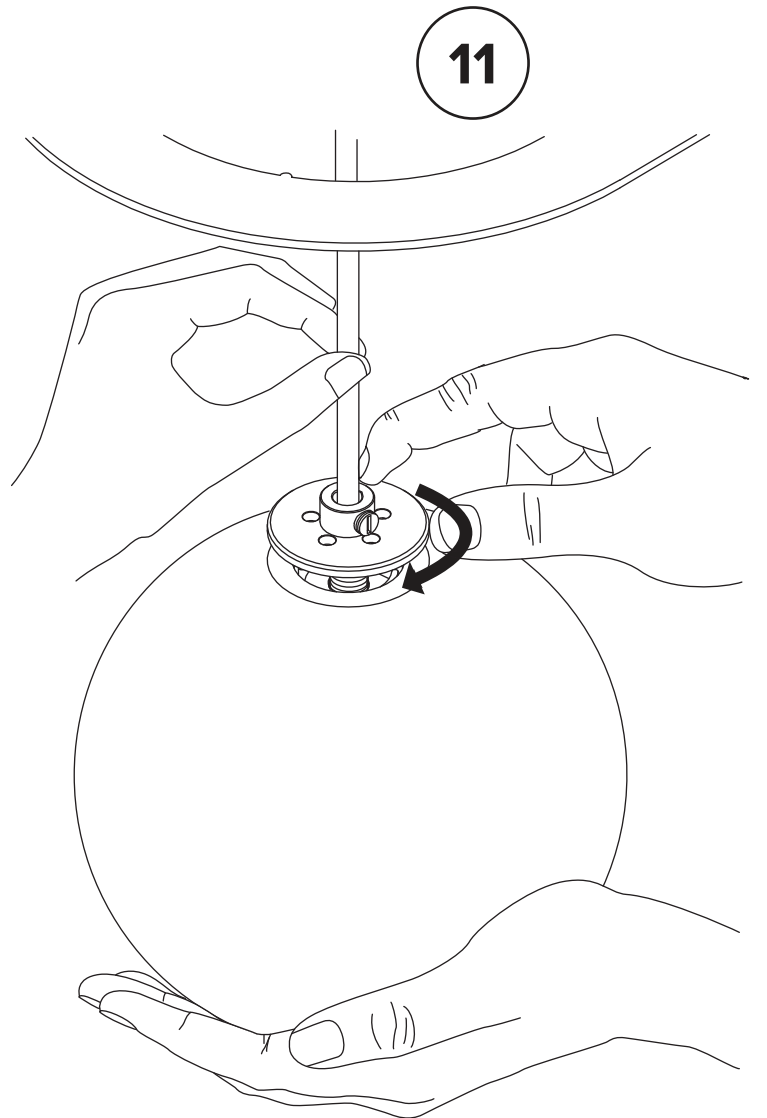
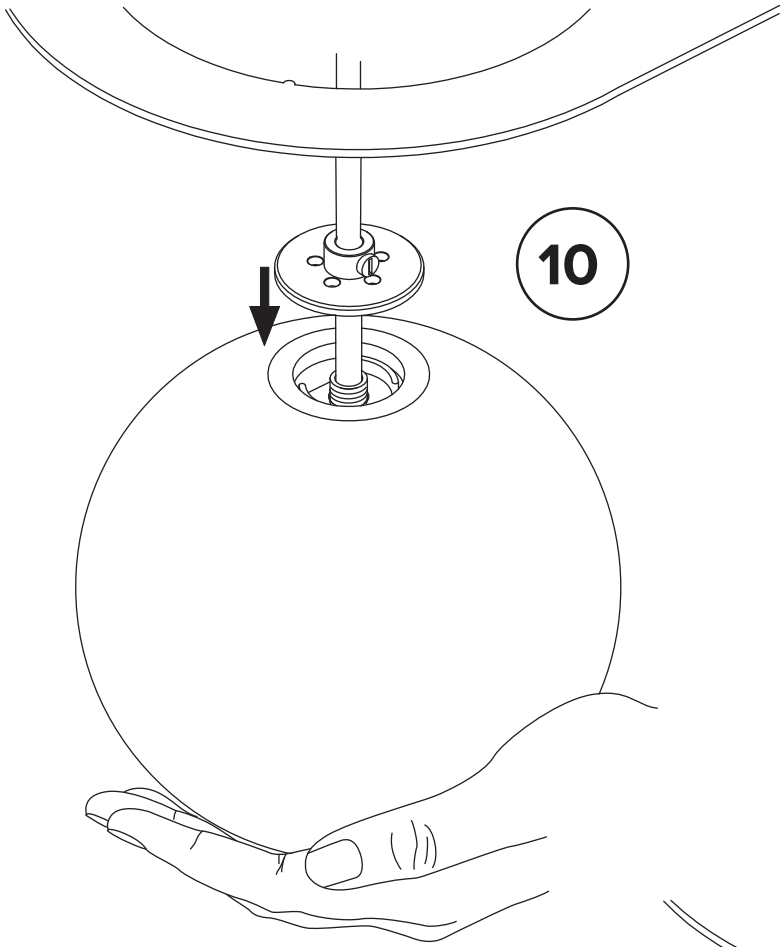
A

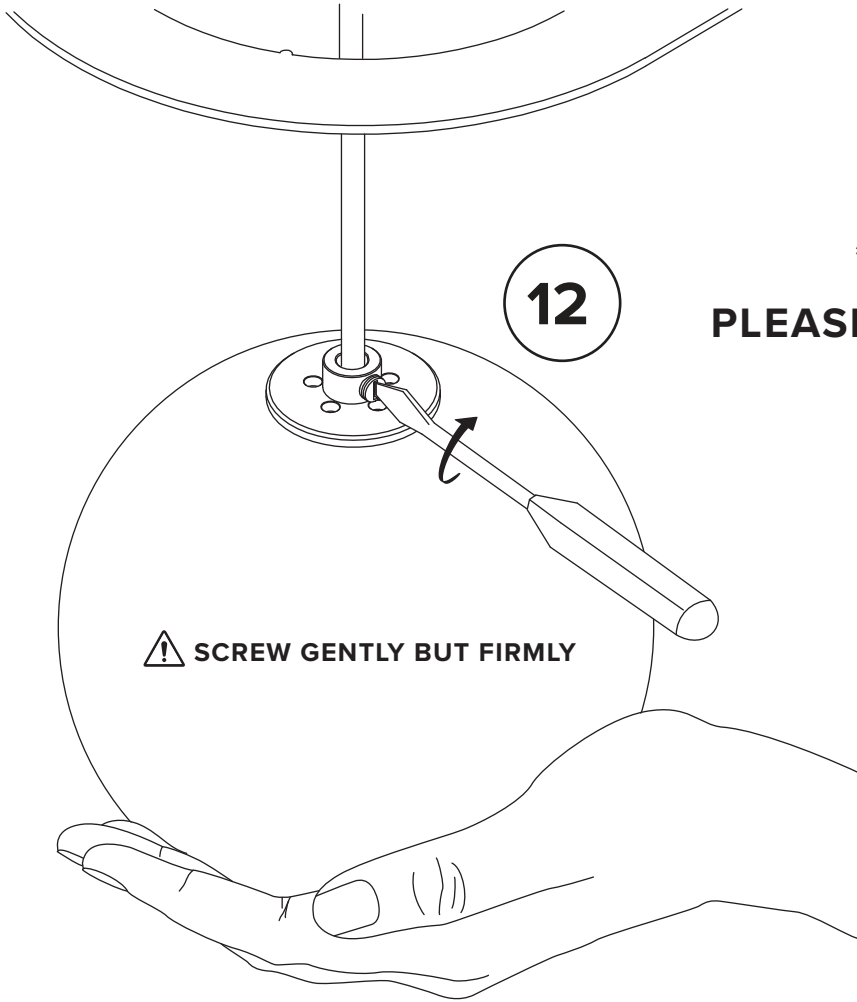
B

8

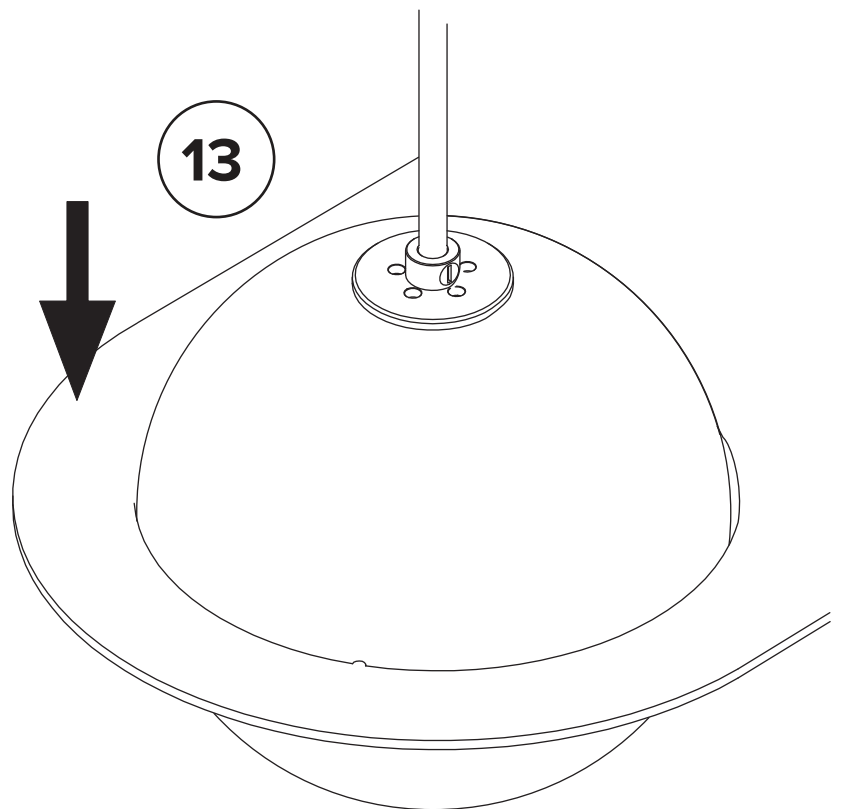


9

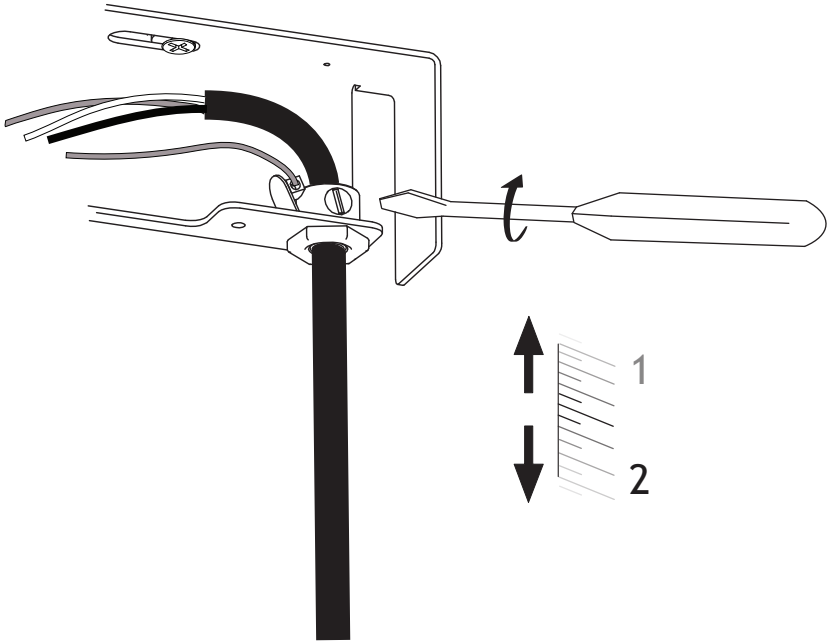




\* To ensure safety,  
**PLEASE FOLLOW THESE STEPS  
CAREFULLY**



14



Make sure the globes are level by micro-adjusting the wire lengths.

**SCREW GENTLY BUT FIRMLY**

