

LAURENT 03

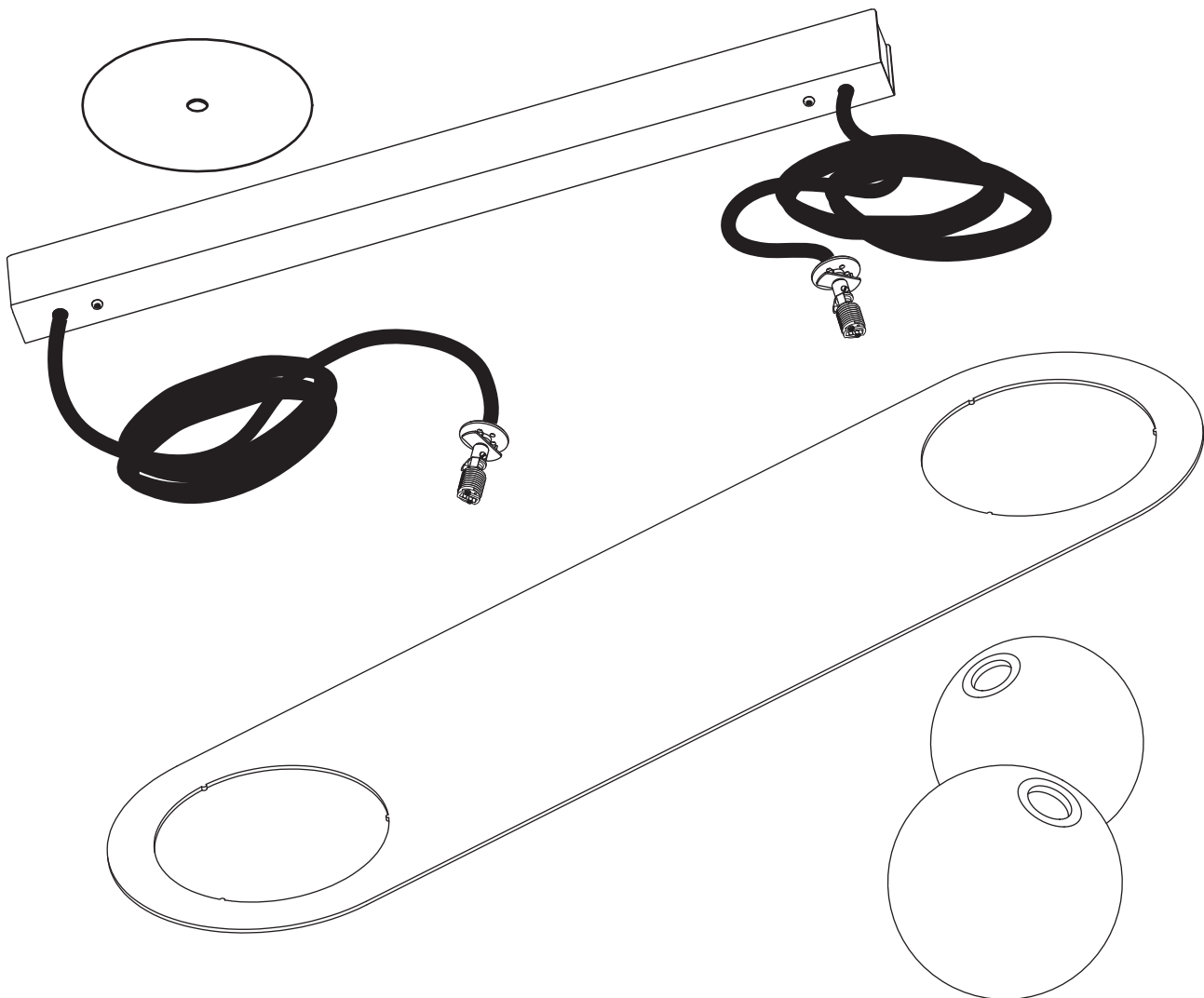
1 x



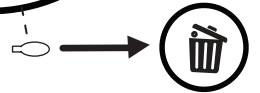
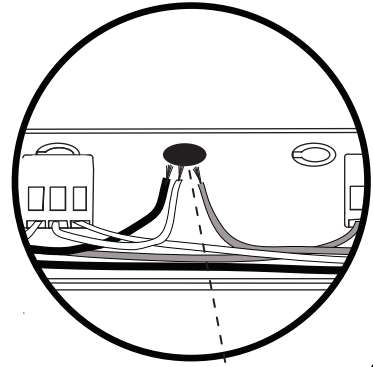
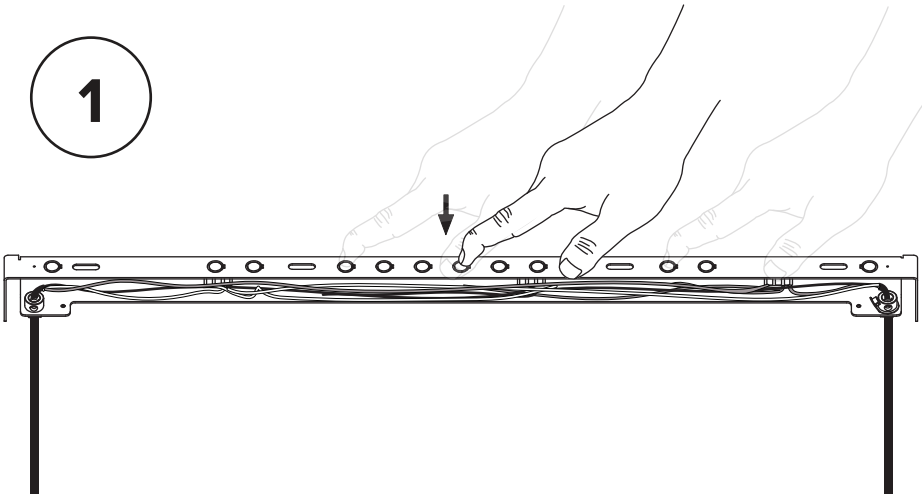
2 x



- To be installed by an electrician to an electrical box
- Use appropriate screws and anchors where necessary
- Wear enclosed gloves when handling lamp
- Handle materials with care. Please consult lamp maintenance sheet on our web site
- Should be used exclusively as a lamp and not as a shelving, display or hanging unit

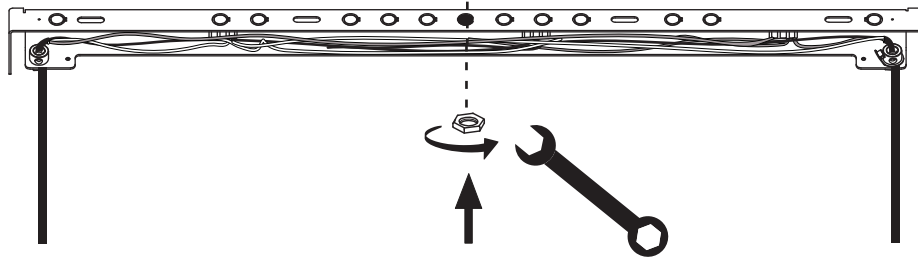
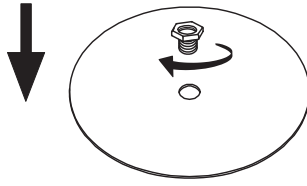


1

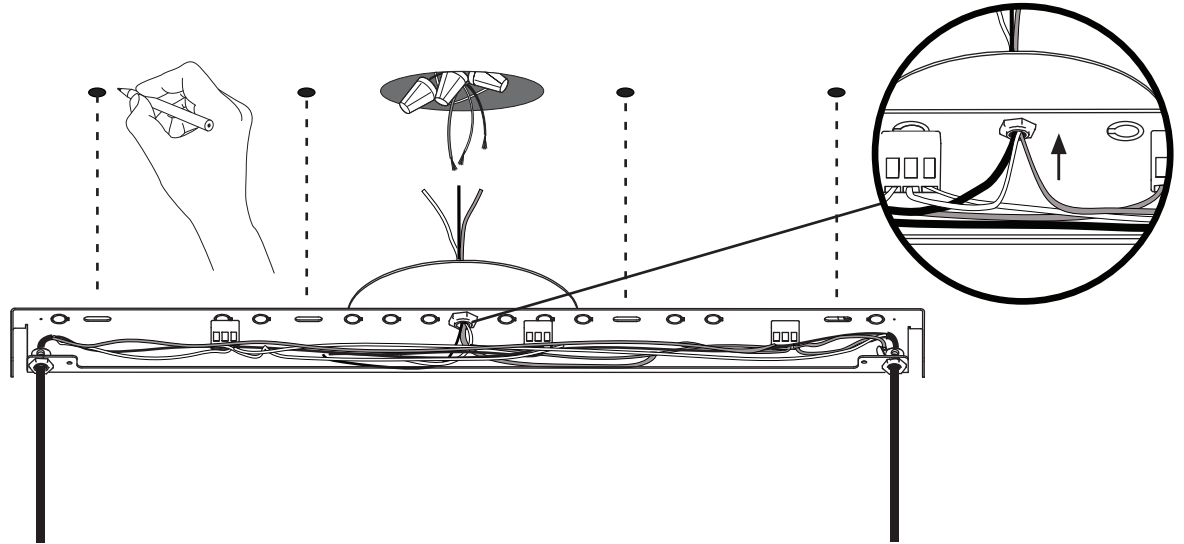


Knockout selected hole depending on desired electrical box alignment.

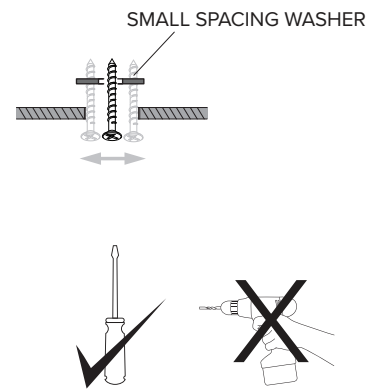
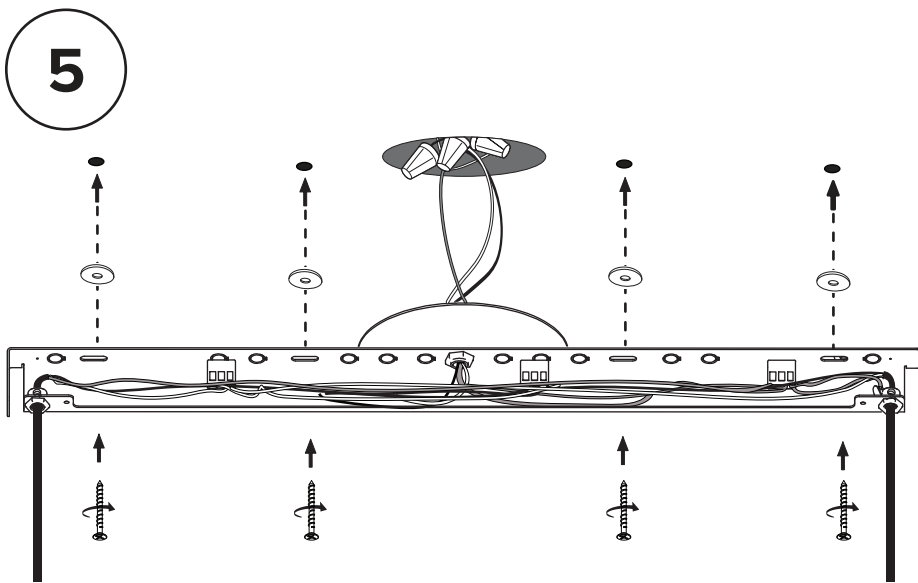
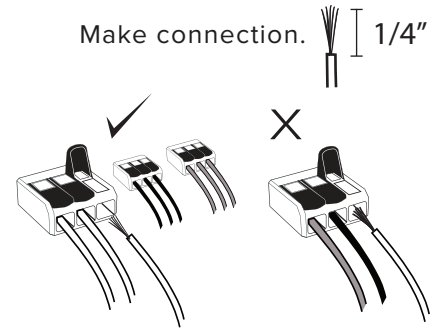
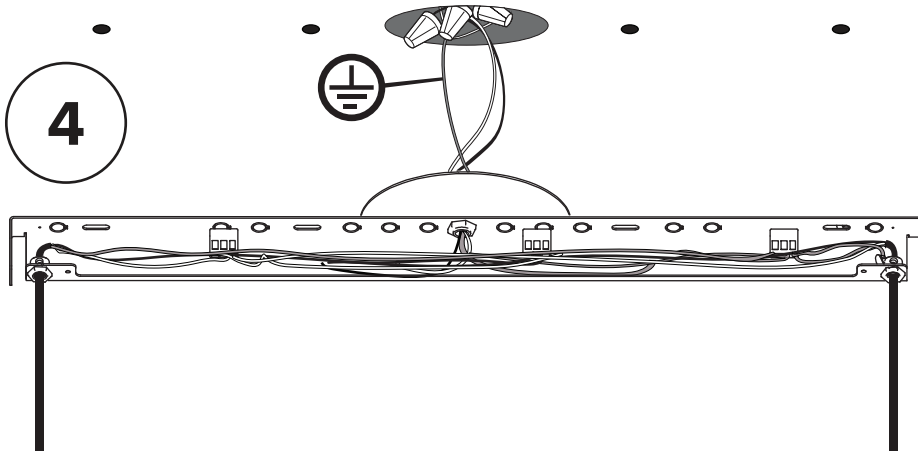
2



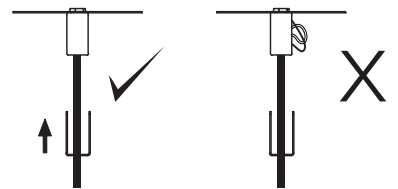
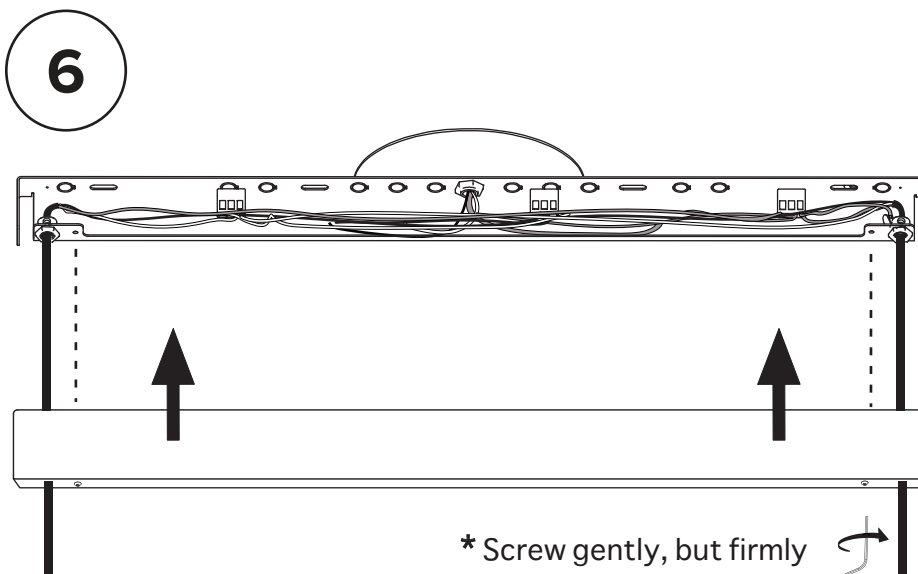
3



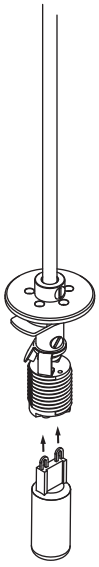
Before marking your anchor locations, align the ceiling bracket with the center of your junction box.
Make sure to use appropriate anchors for ceiling material.



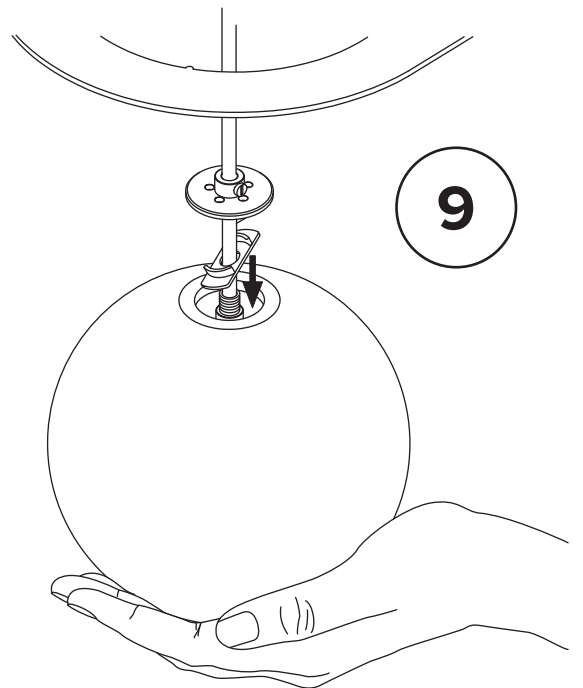
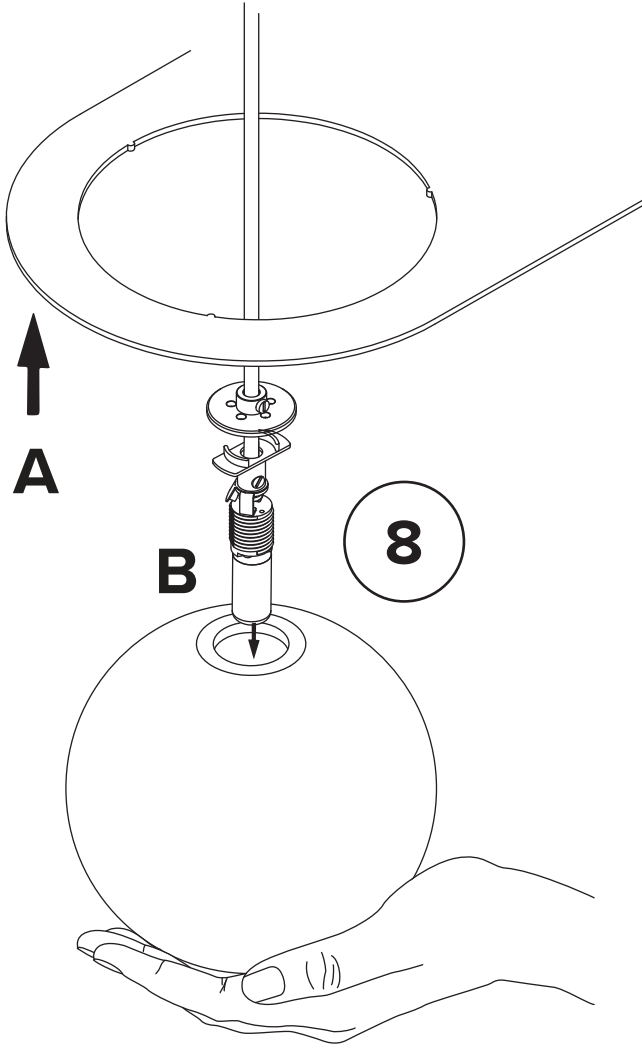
Avoid scuffing the wires during this operation.

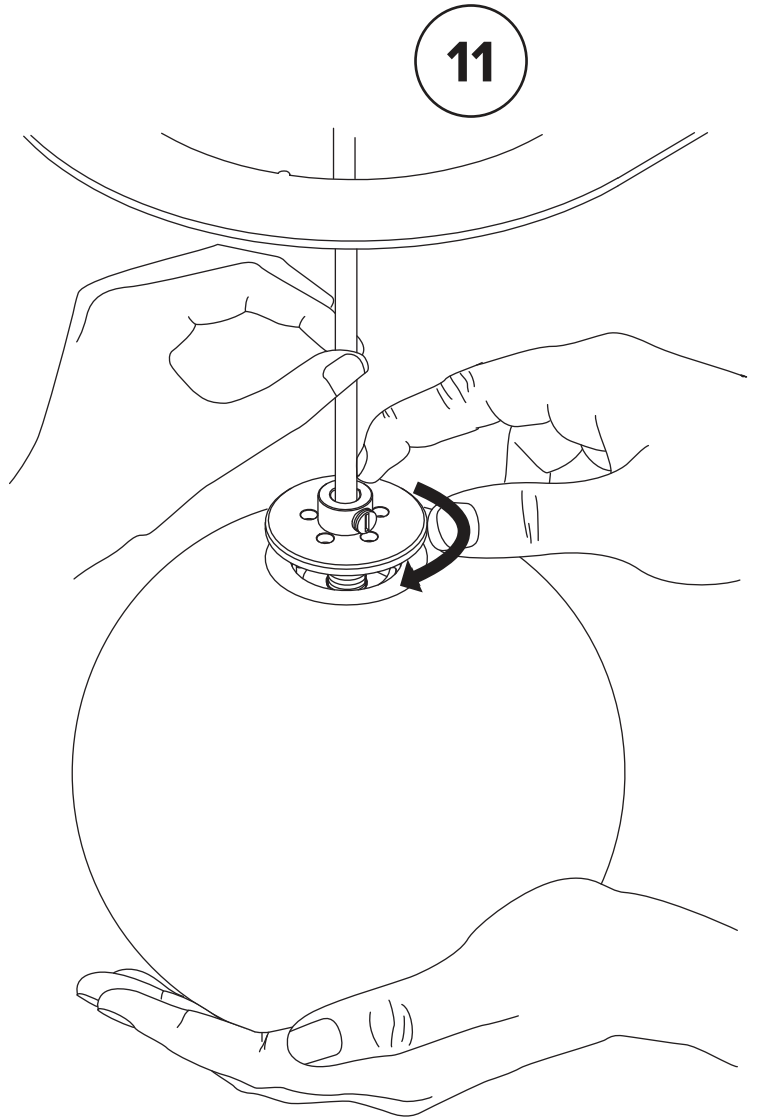
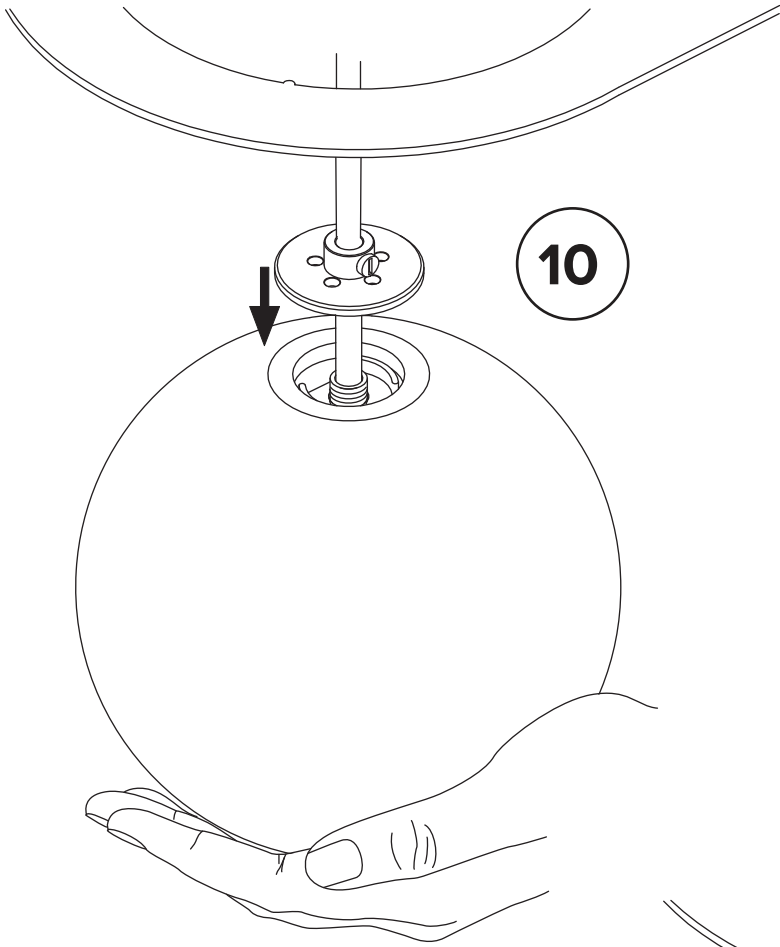


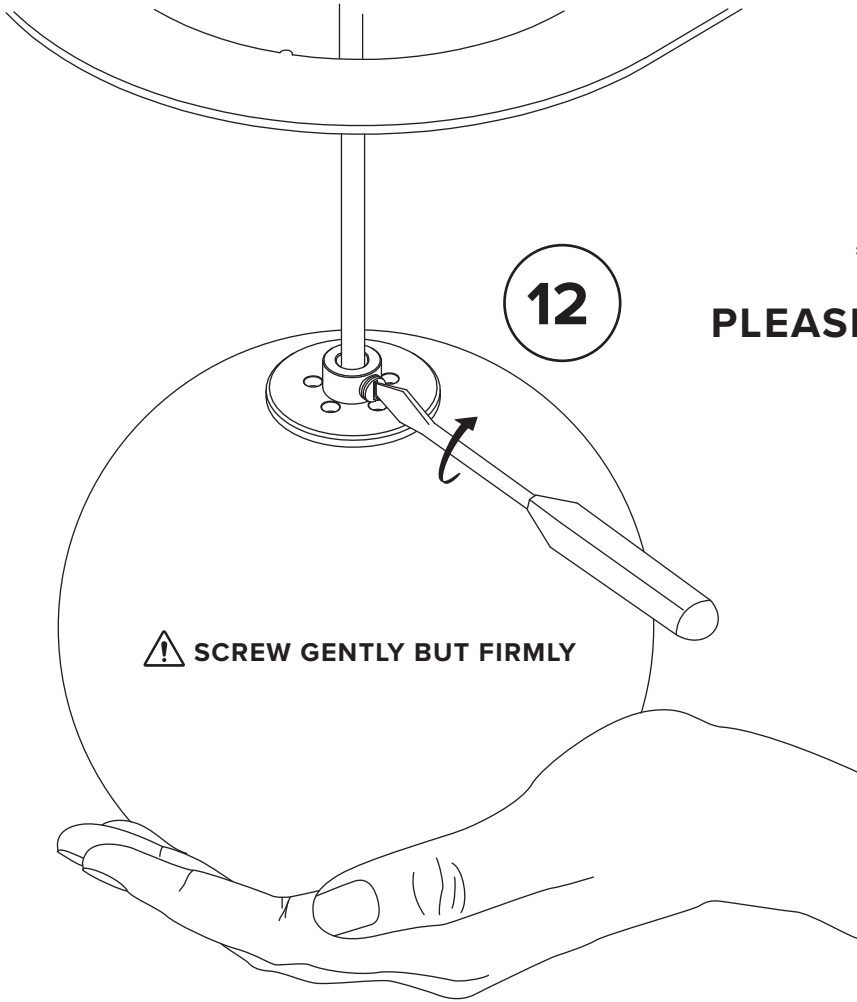
Ensure no wires are clipped or pinched during this operation.



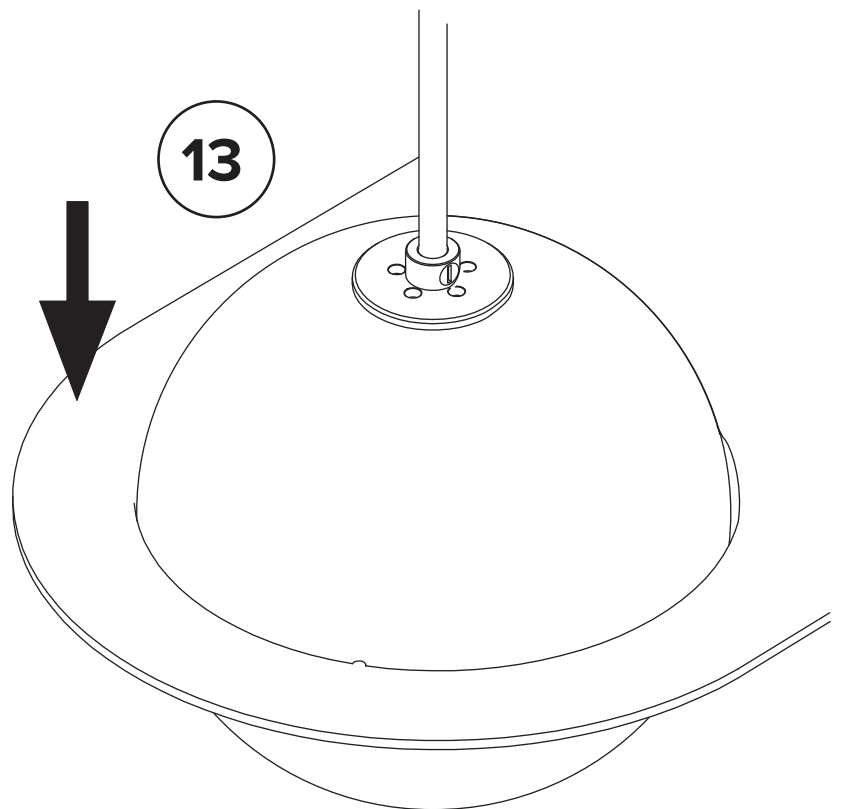
7







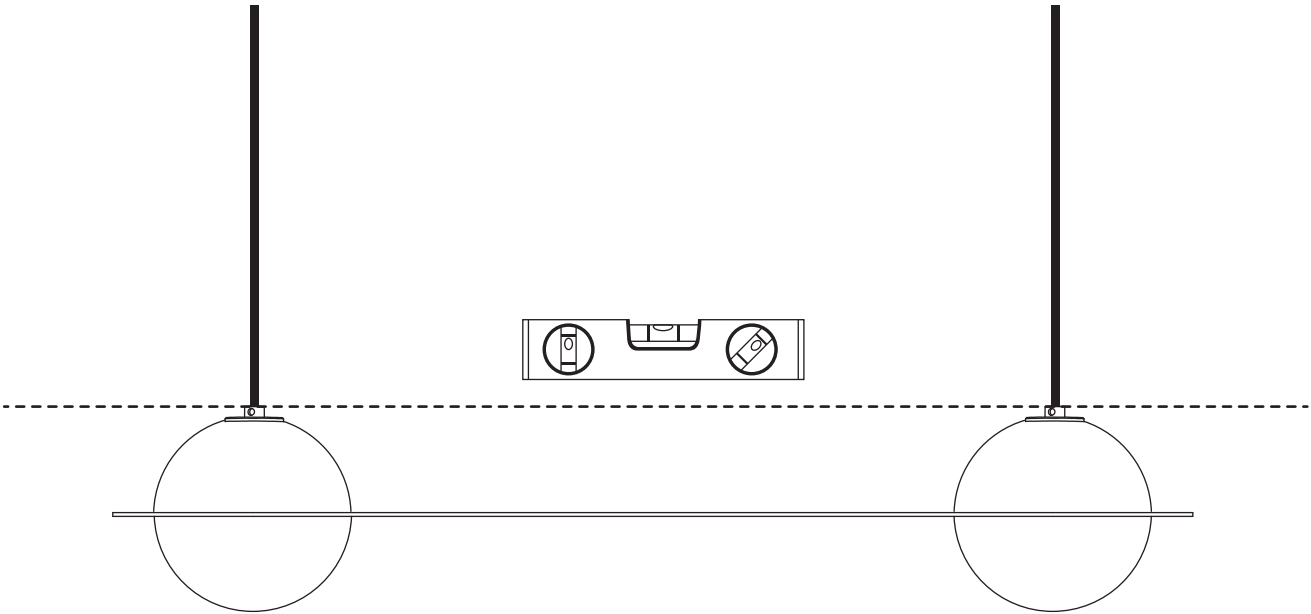
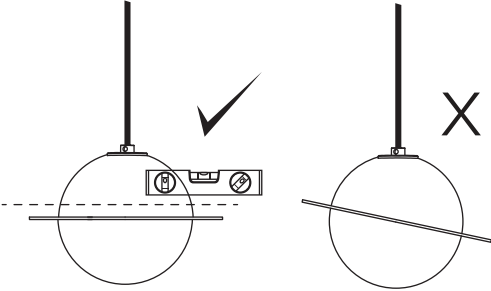
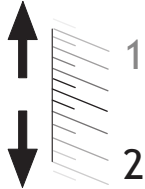
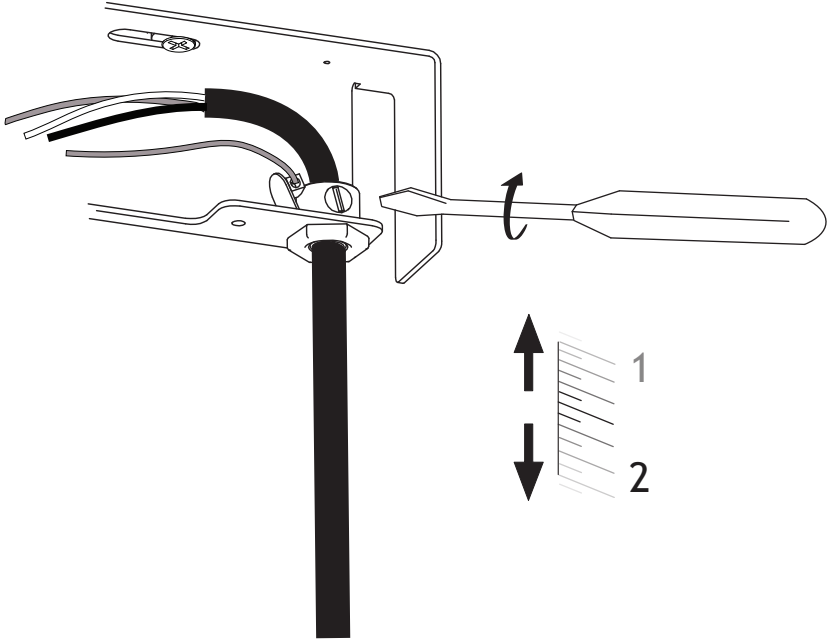
* To ensure safety,
**PLEASE FOLLOW THESE STEPS
CAREFULLY**

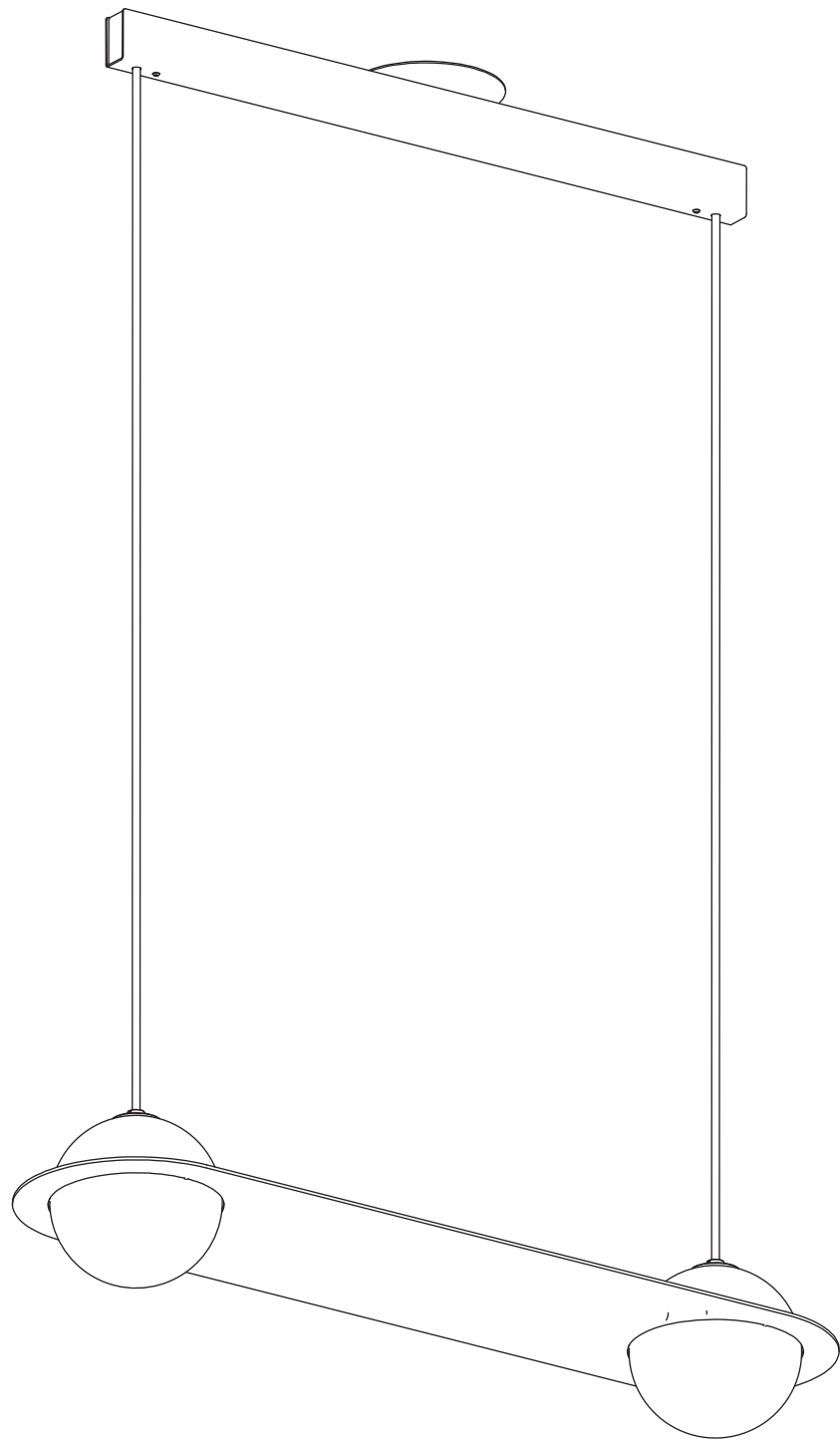


14

Make sure the globes are level by micro-adjusting the wire lengths.

SCREW GENTLY BUT FIRMLY





lambert&fils