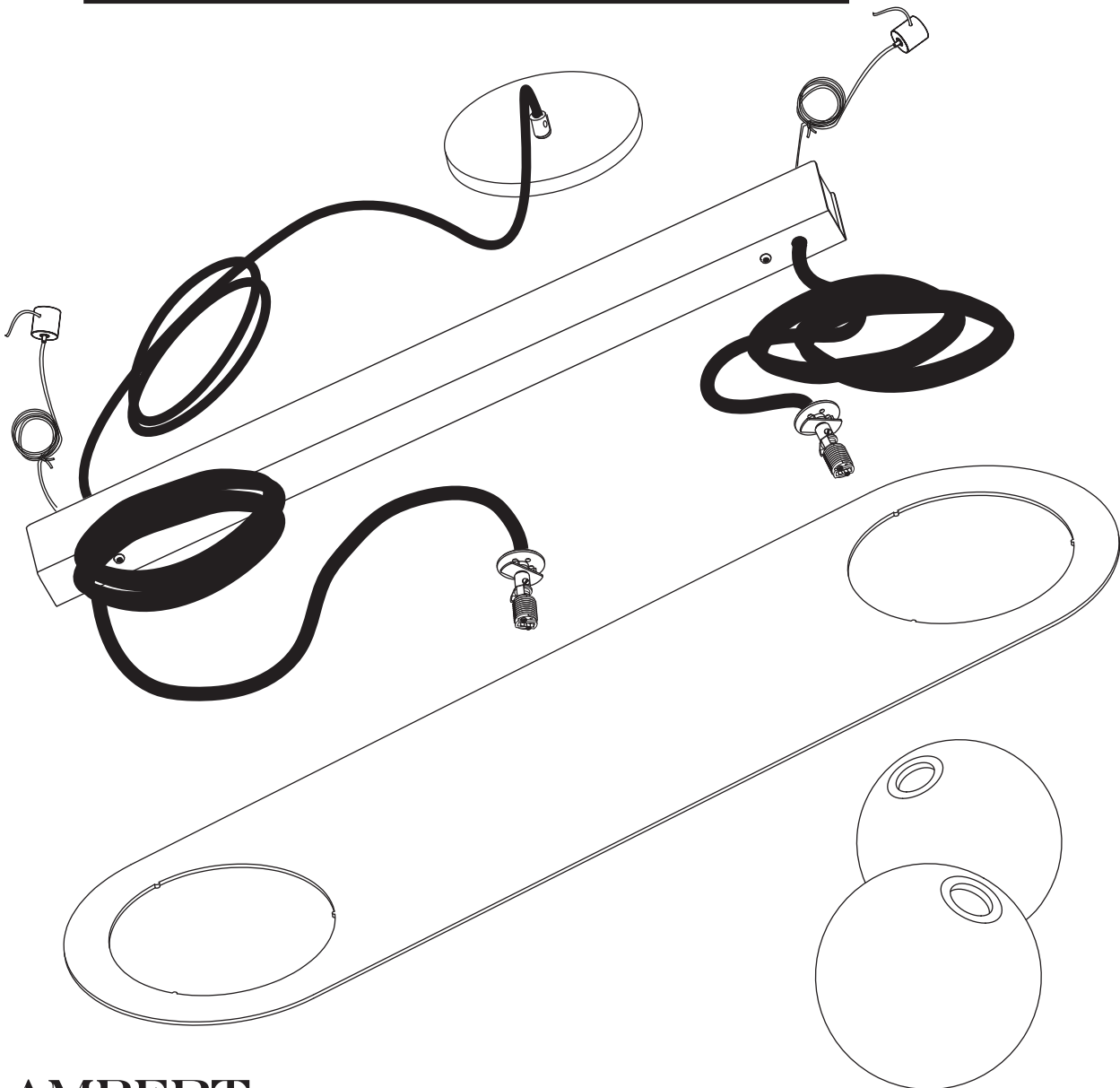


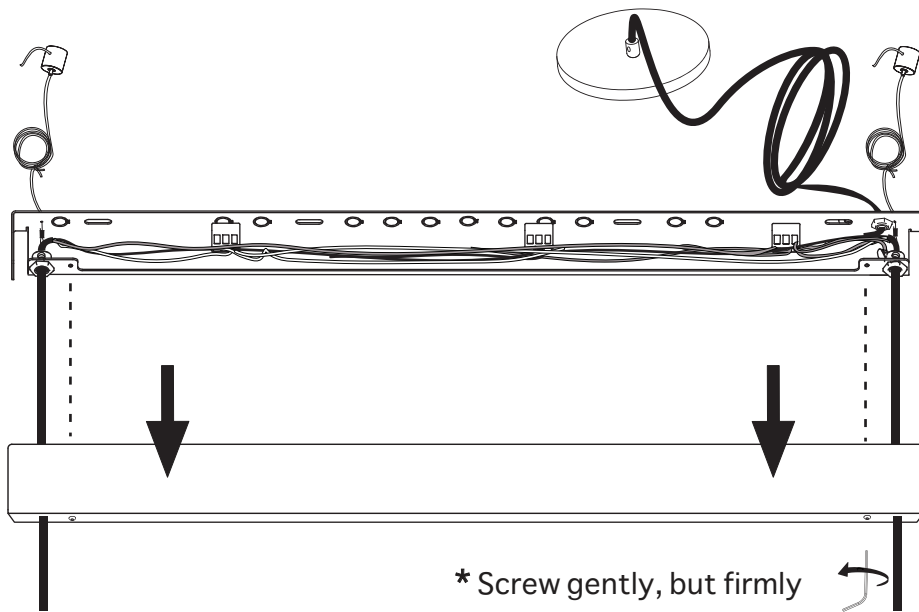
# LAURENT 03



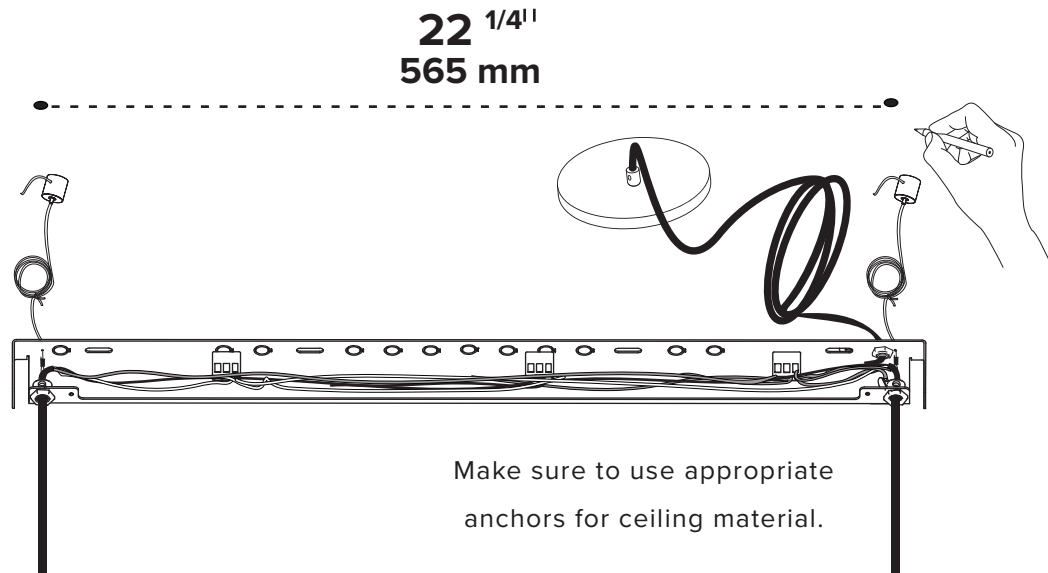
- To be installed by an electrician to an electrical box
- Use appropriate screws and anchors where necessary
- Wear enclosed gloves when handling lamp
- Handle materials with care. Please consult lamp maintenance sheet on our web site
- Should be used exclusively as a lamp and not as a shelving, display or hanging unit



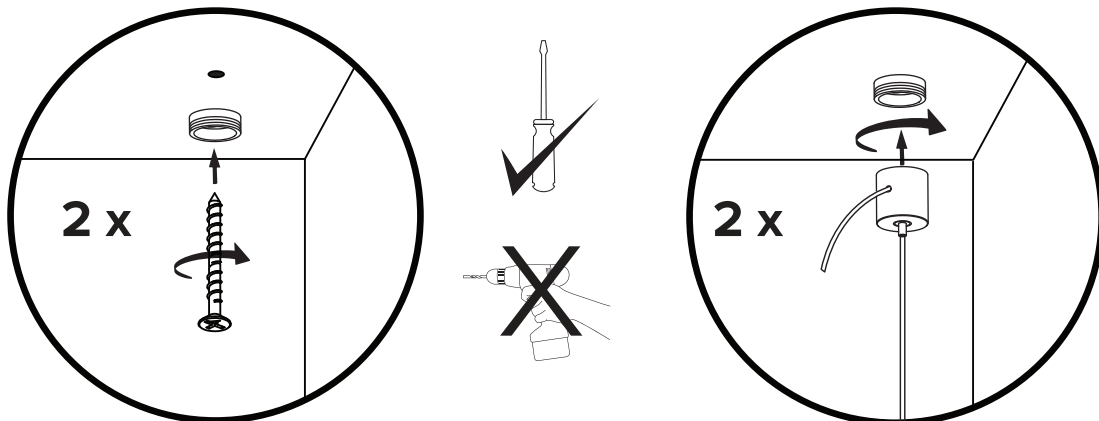
1

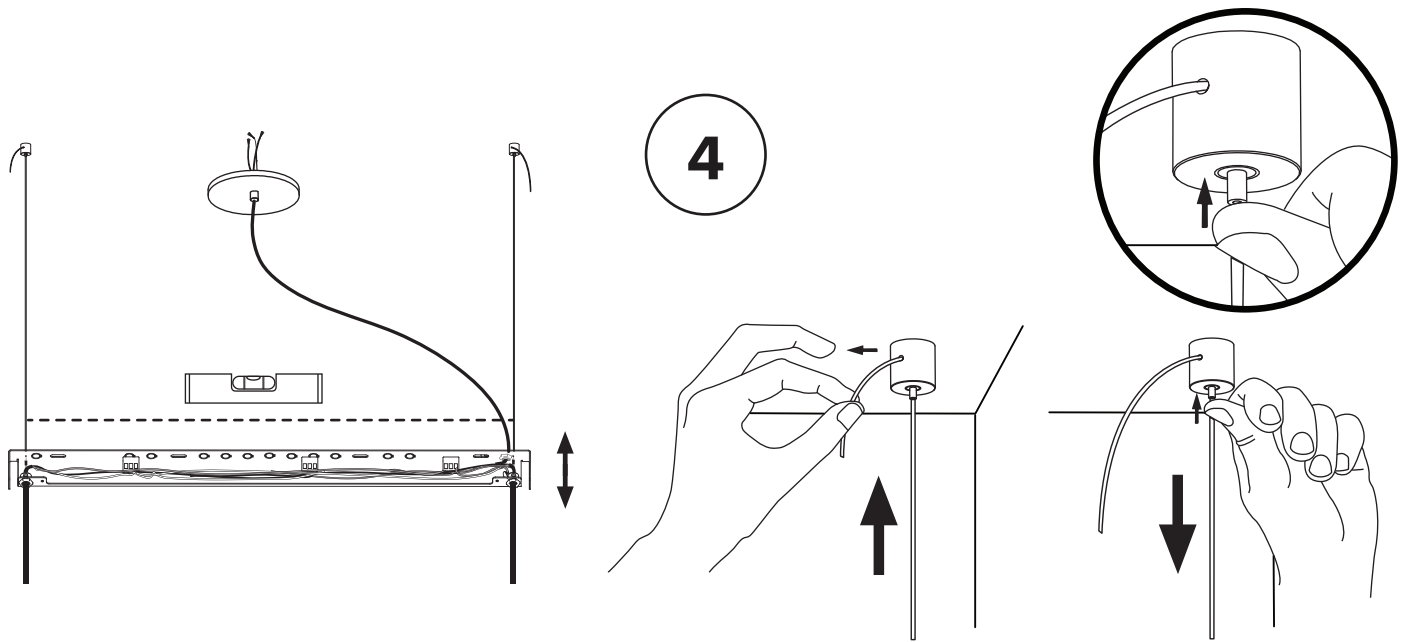


2



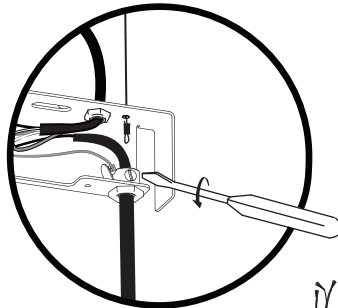
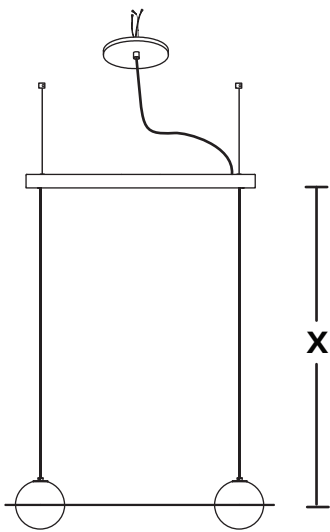
3



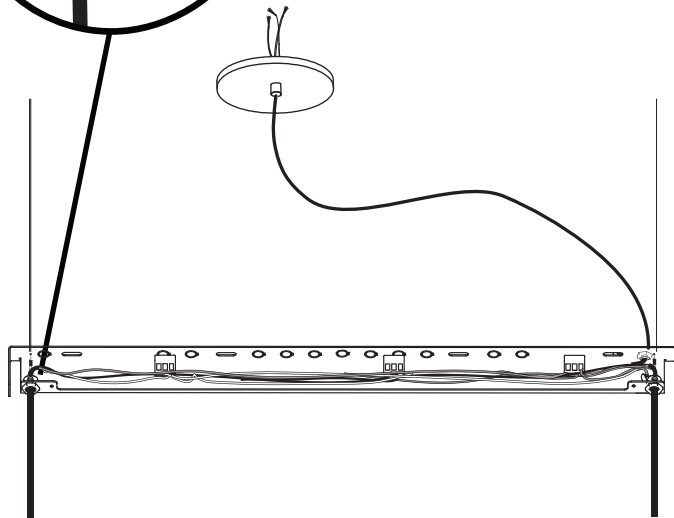


4

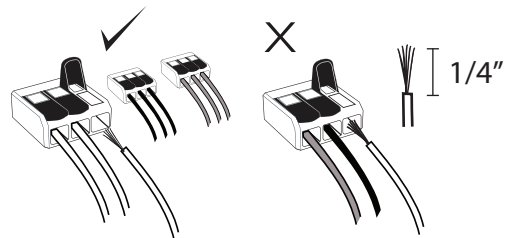
5

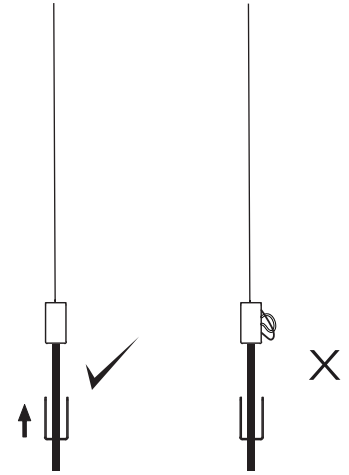
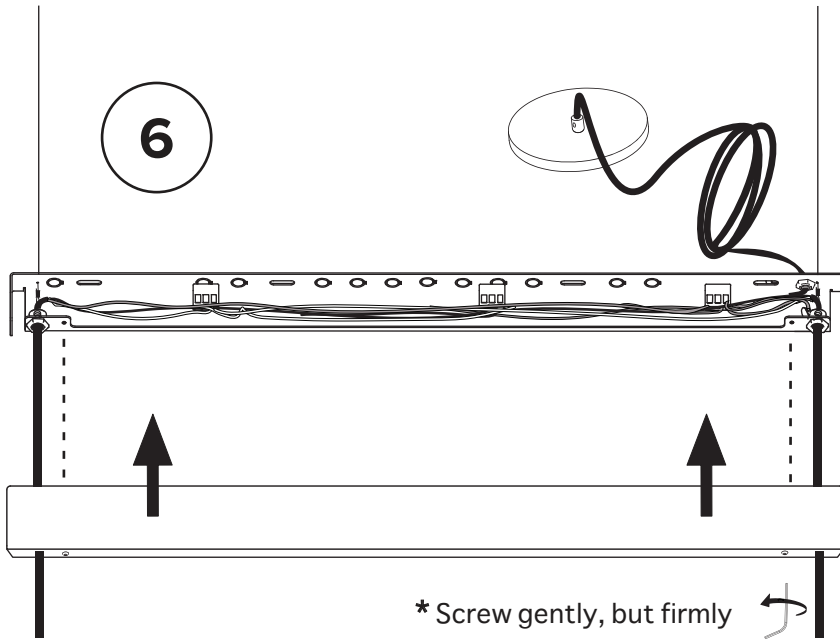


Loosen set screw to adjust wire length. Screw back gently but firmly, when desired wire length is reached

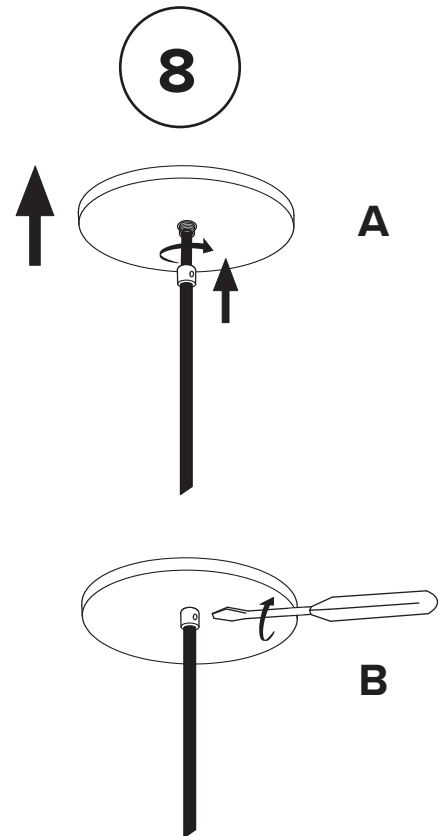
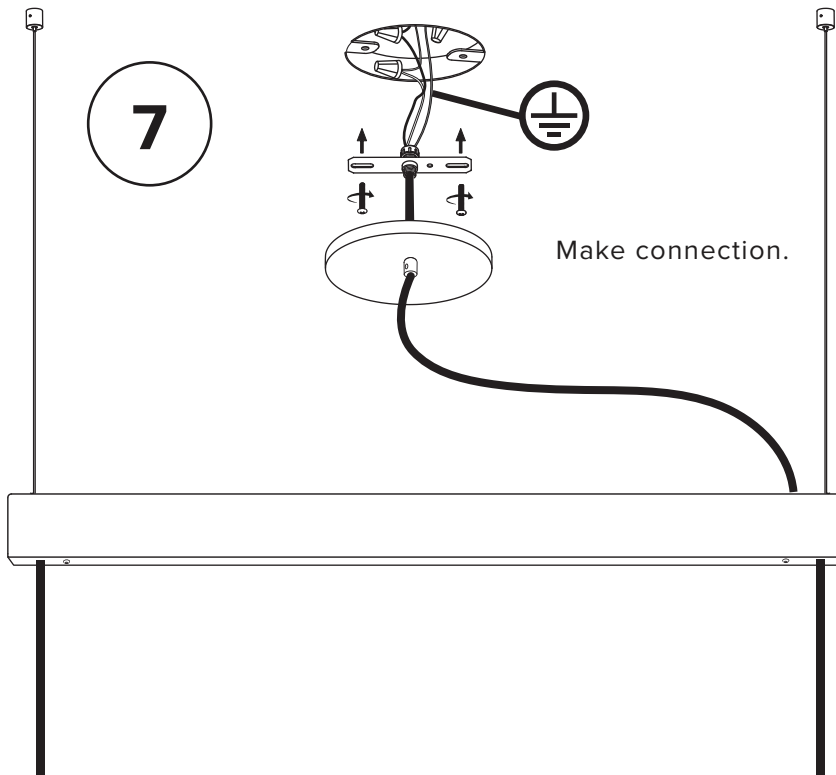


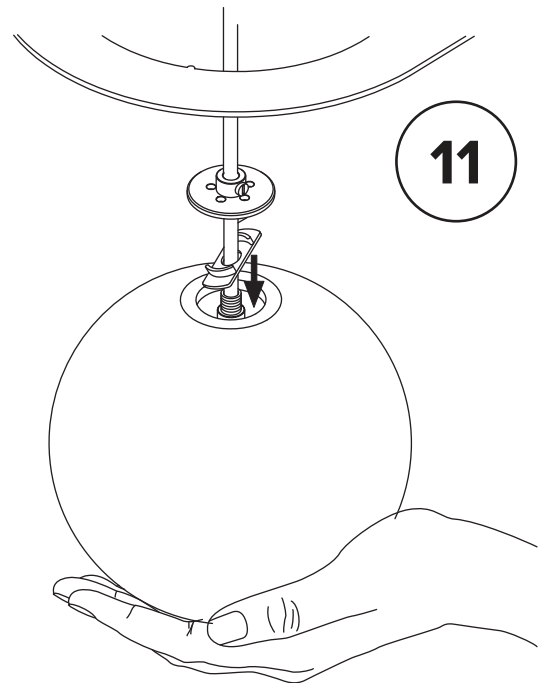
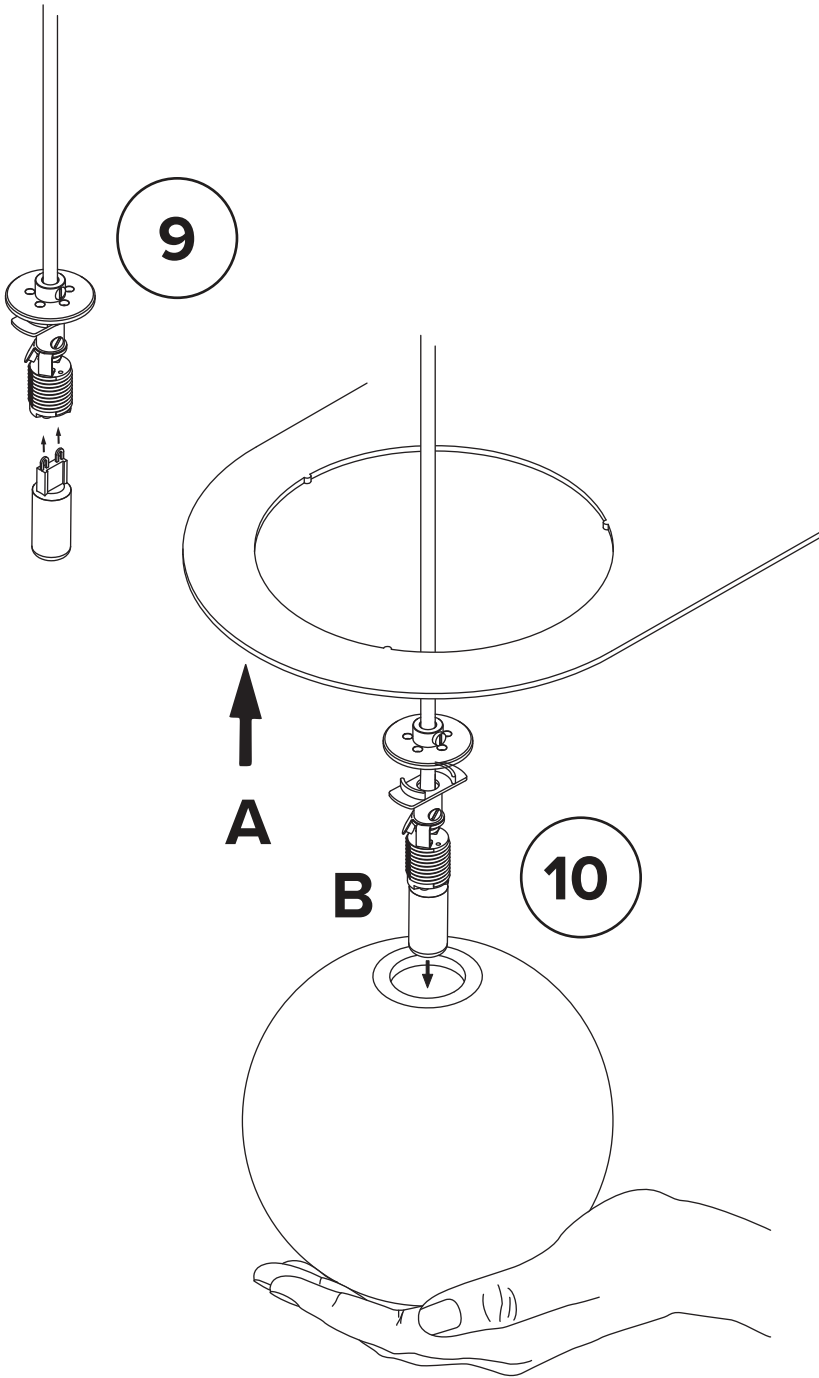
Trim wires to desired length (X).  
Do not leave a large excess of wires inside canopy. Reconnect them as before.

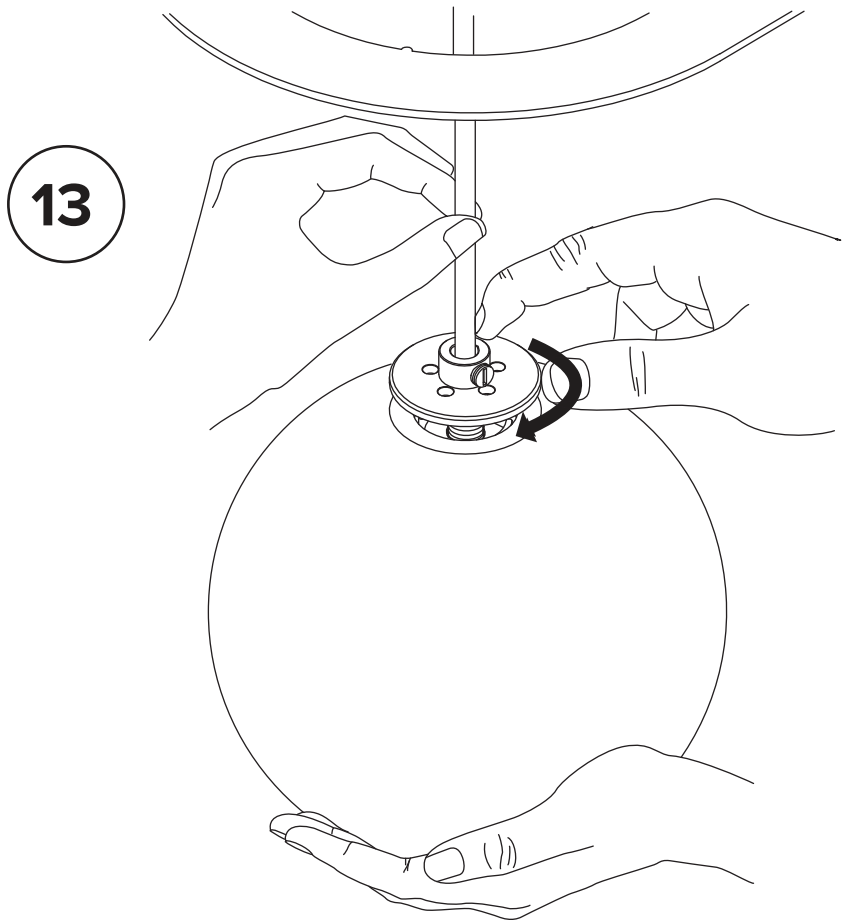
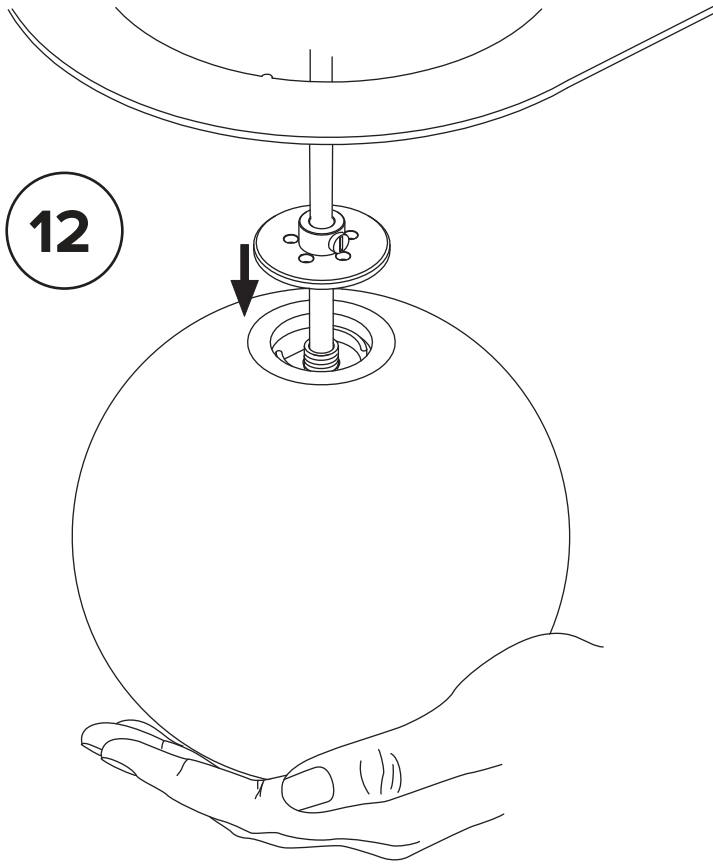


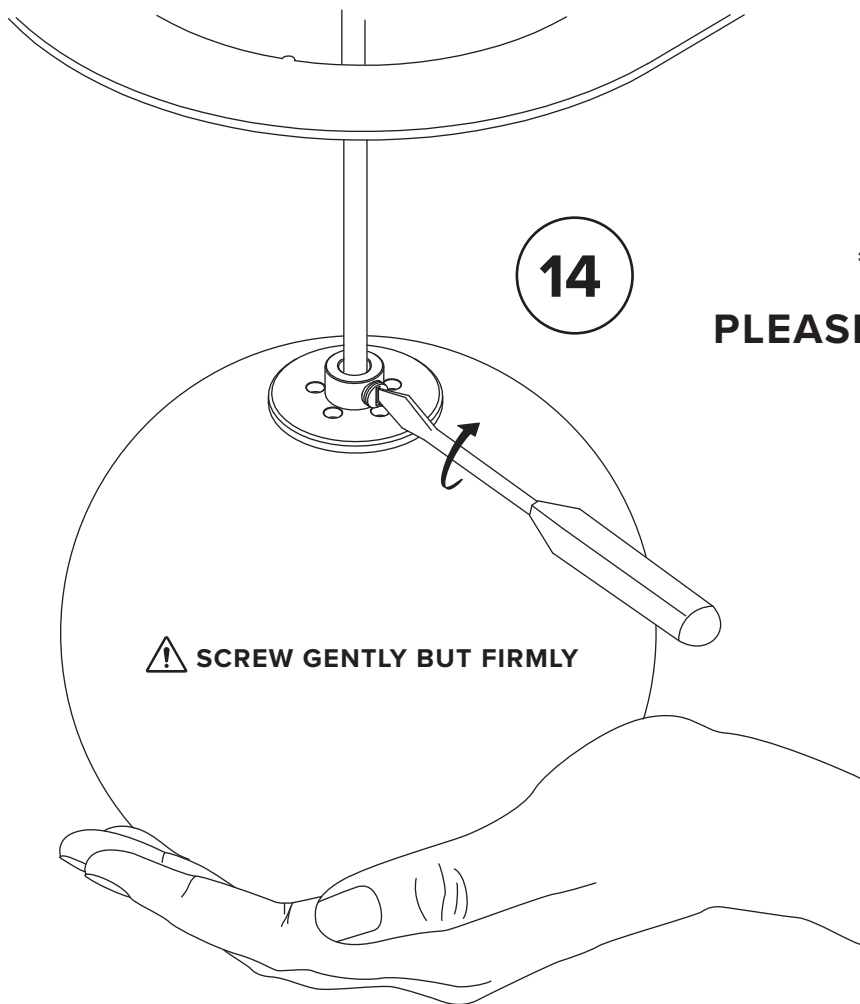


Ensure no wires are clipped or pinched during this operation.

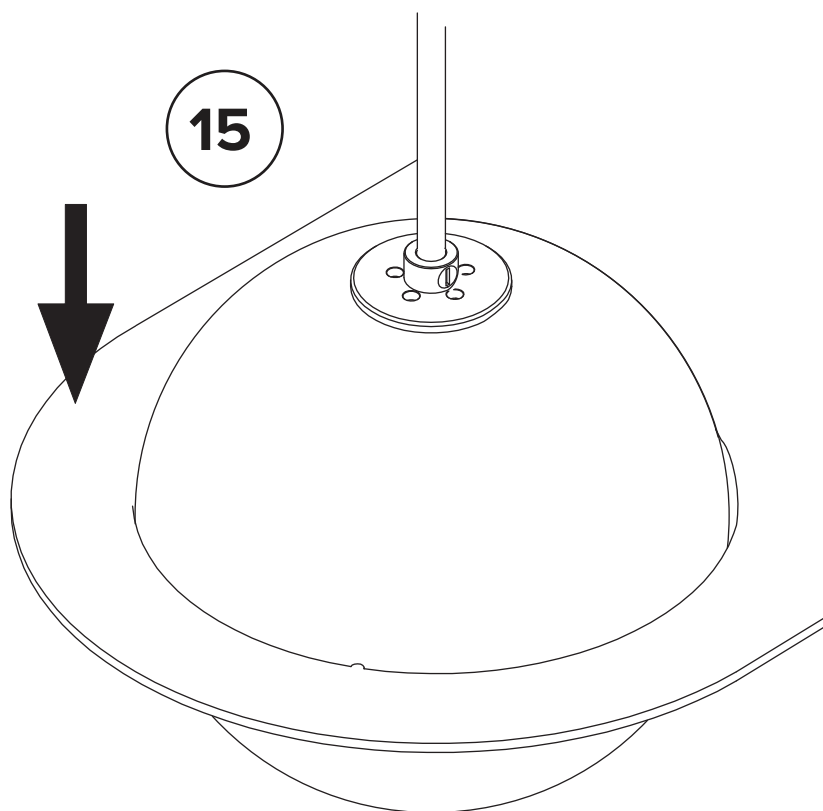








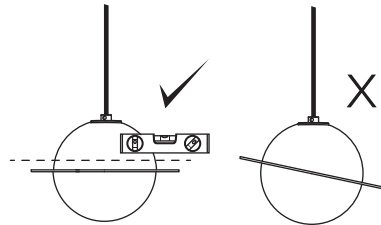
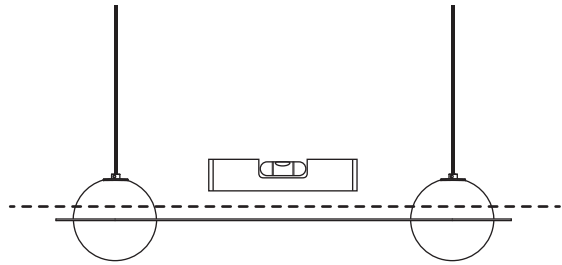
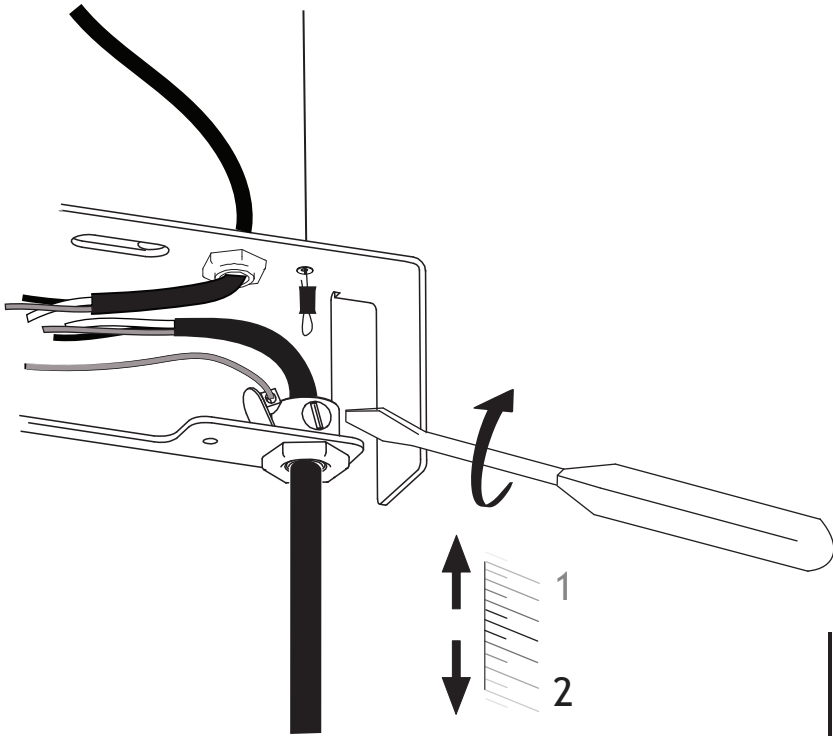
\* To ensure safety,  
**PLEASE FOLLOW THESE STEPS  
CAREFULLY**



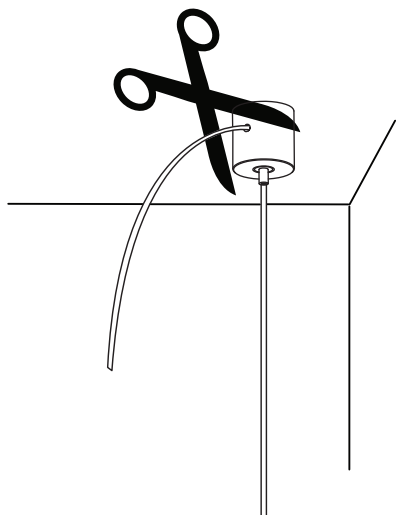
16

Make sure the globes are level by micro-adjusting the wire lengths.

**SCREW GENTLY BUT FIRMLY**

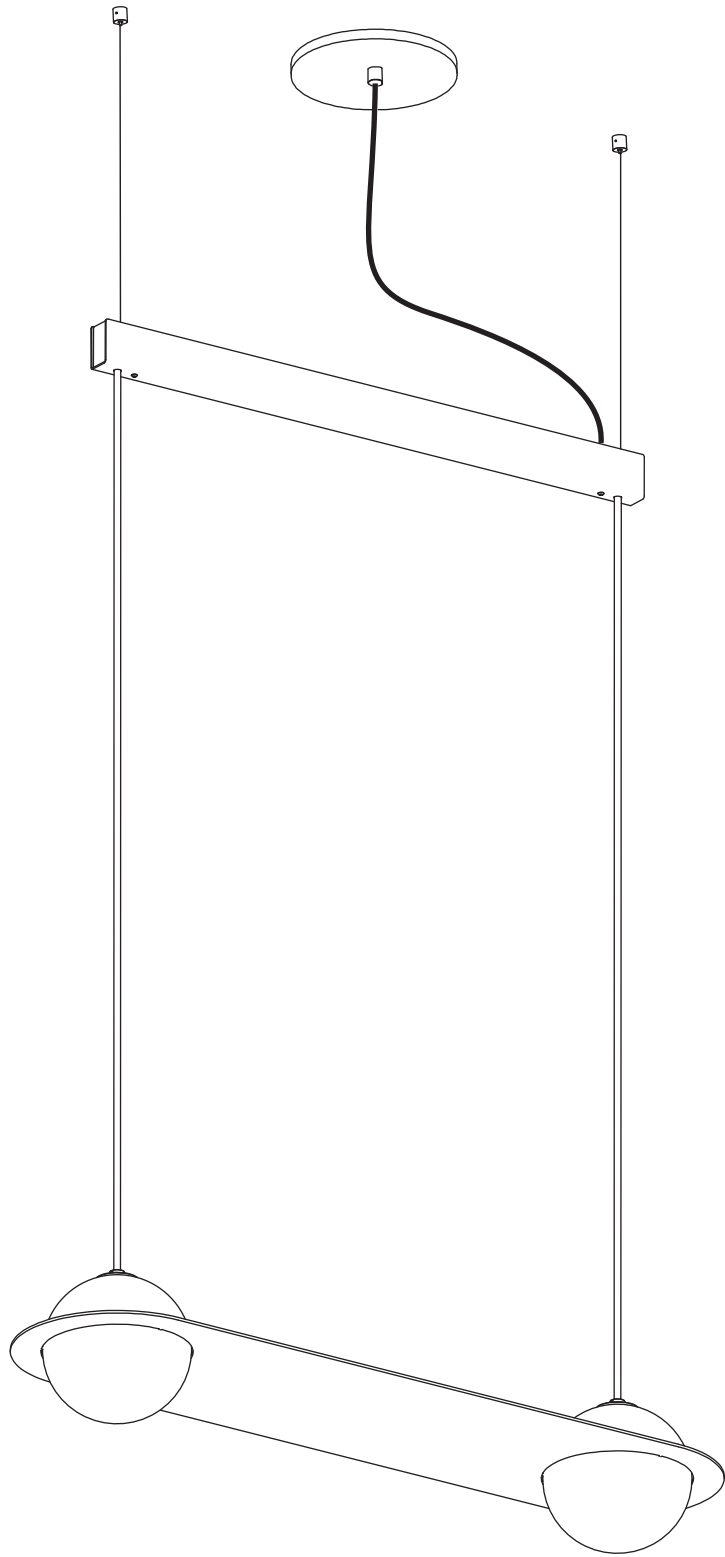


17



Trim extra cable when desired height and level are achieved.





**LAMBERT  
& FILS**  
studio