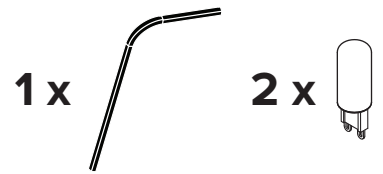
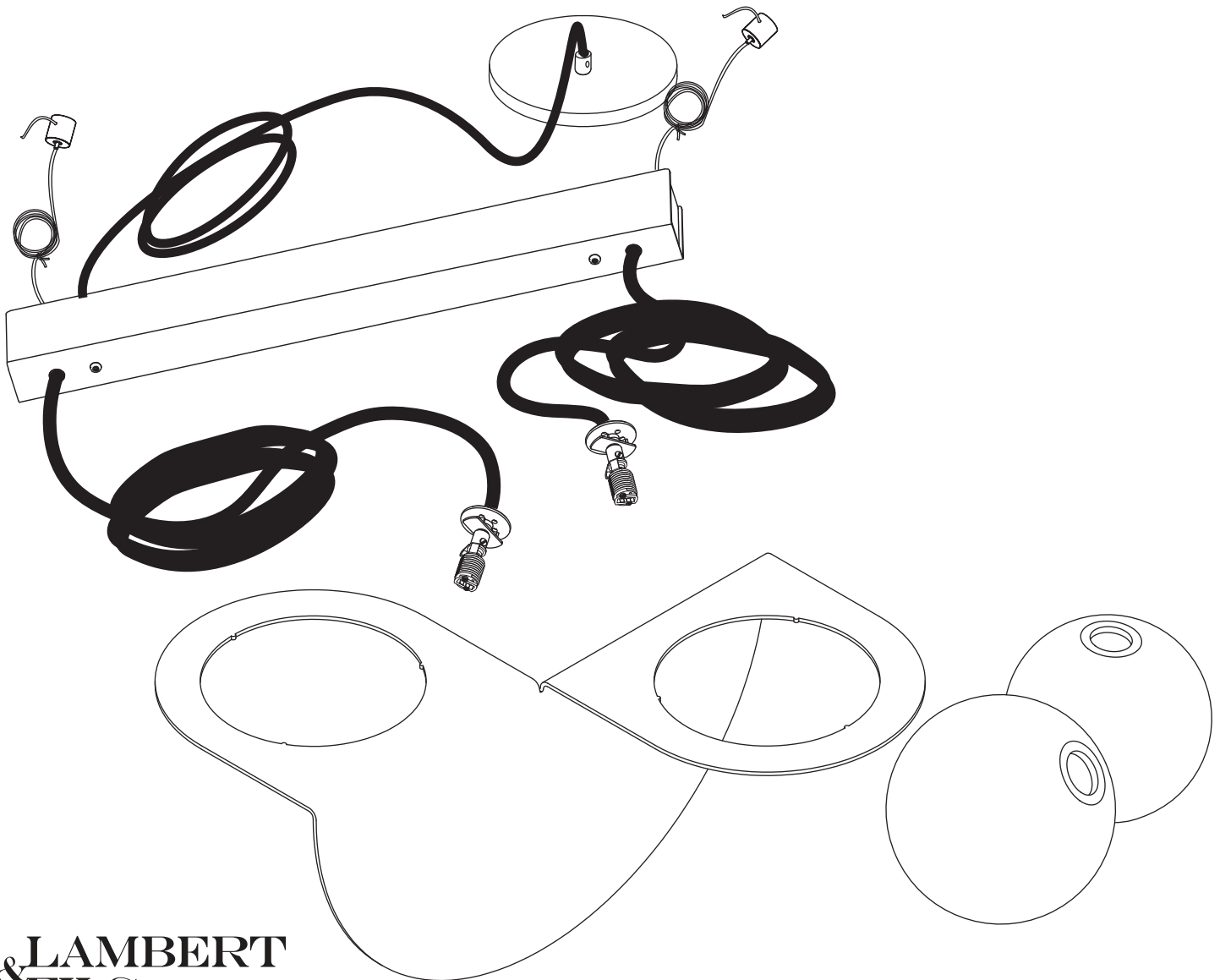


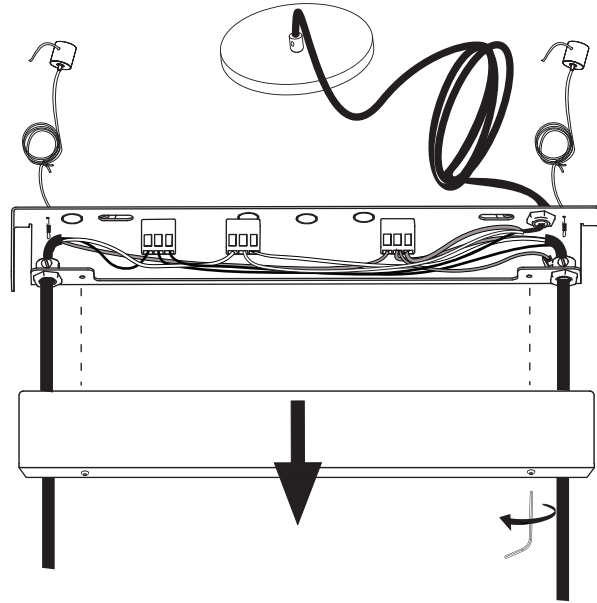
LAURENT 01



- To be installed by an electrician to an electrical box
- Use appropriate screws and anchors where necessary
- Wear enclosed gloves when handling lamp
- Handle materials with care. Please consult lamp maintenance sheet on our web site
- Should be used exclusively as a lamp and not as a shelving, display or hanging unit

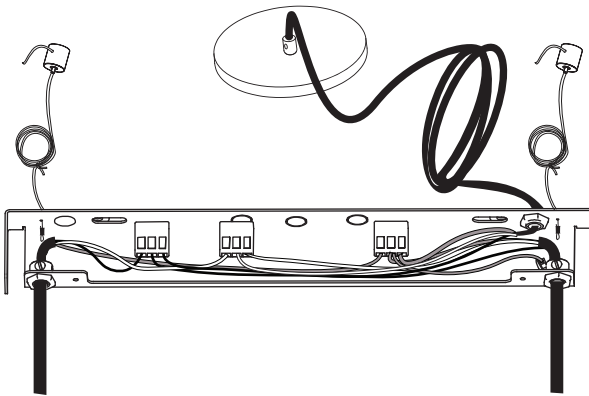


1



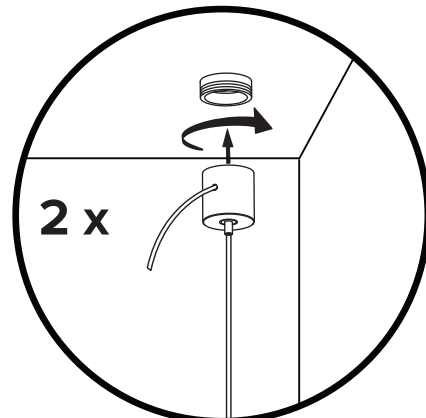
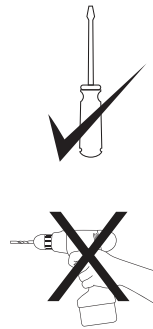
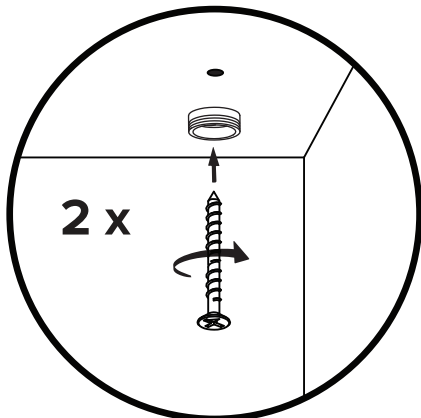
11 1/4"
285 mm

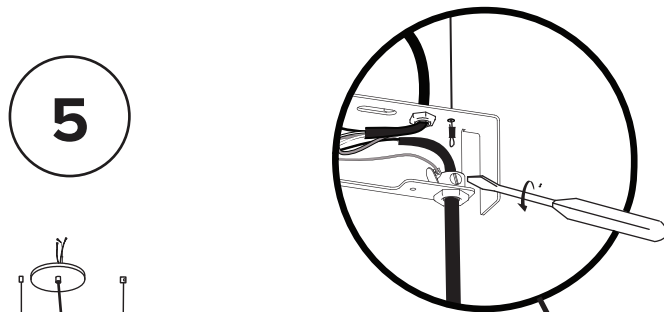
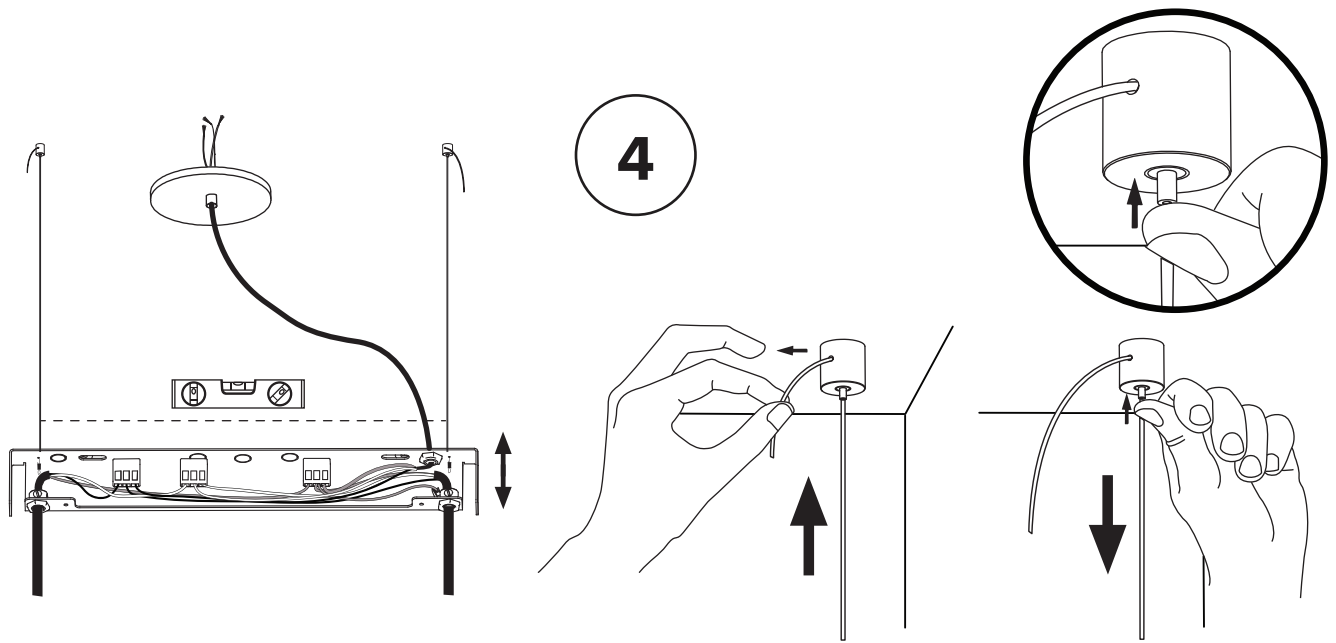
2



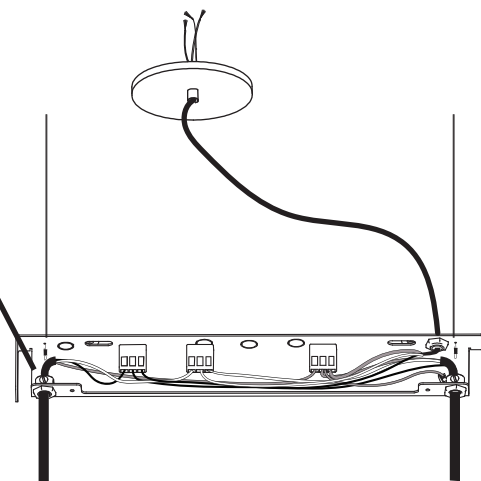
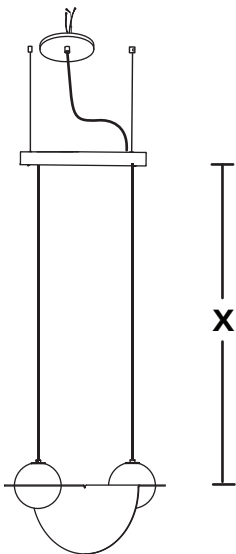
Make sure to use appropriate anchors for ceiling material.

3

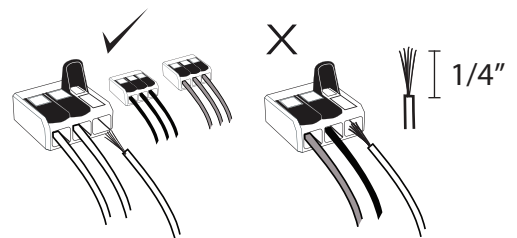




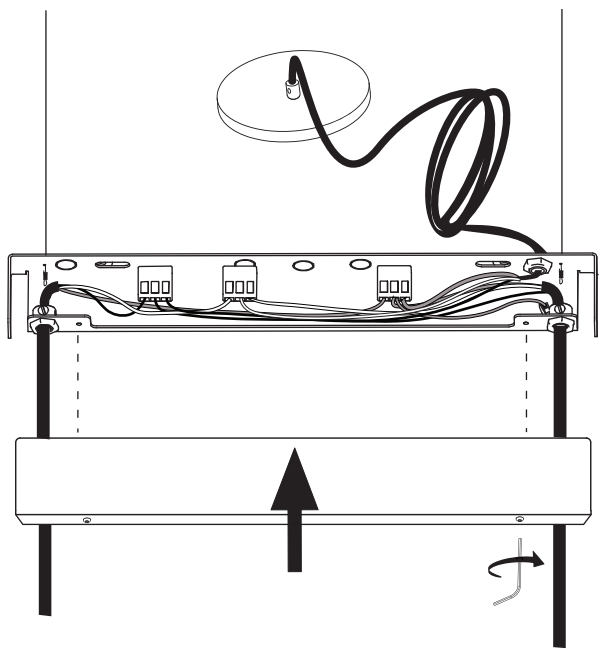
Loosen set screw to adjust wire length. Screw back gently but firmly, when desired wire length is reached



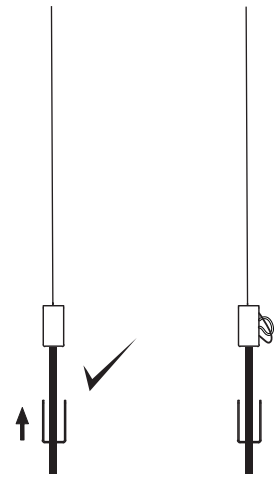
Trim wires to desired length (X). Do not leave a large excess of wires inside canopy. Reconnect them as before.



6

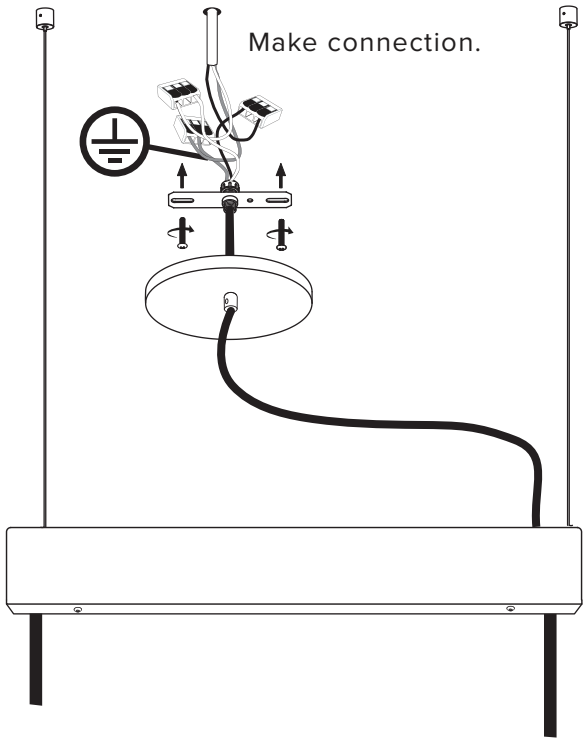


* Screw gently, but firmly

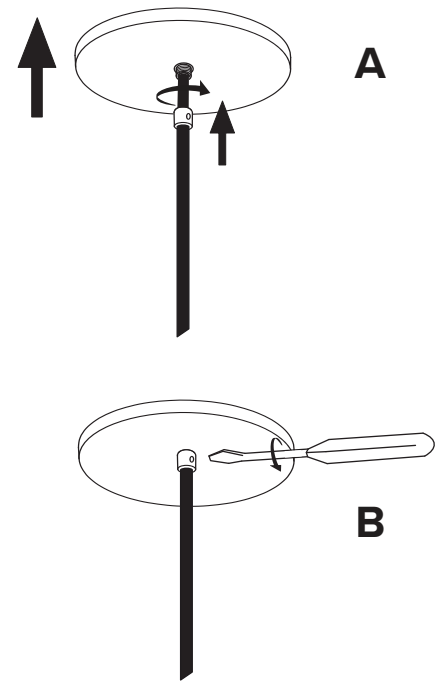


Ensure no wires are clipped or pinched during this operation.

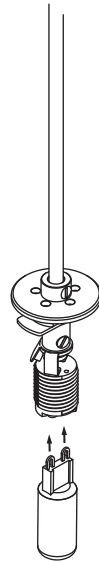
7



8

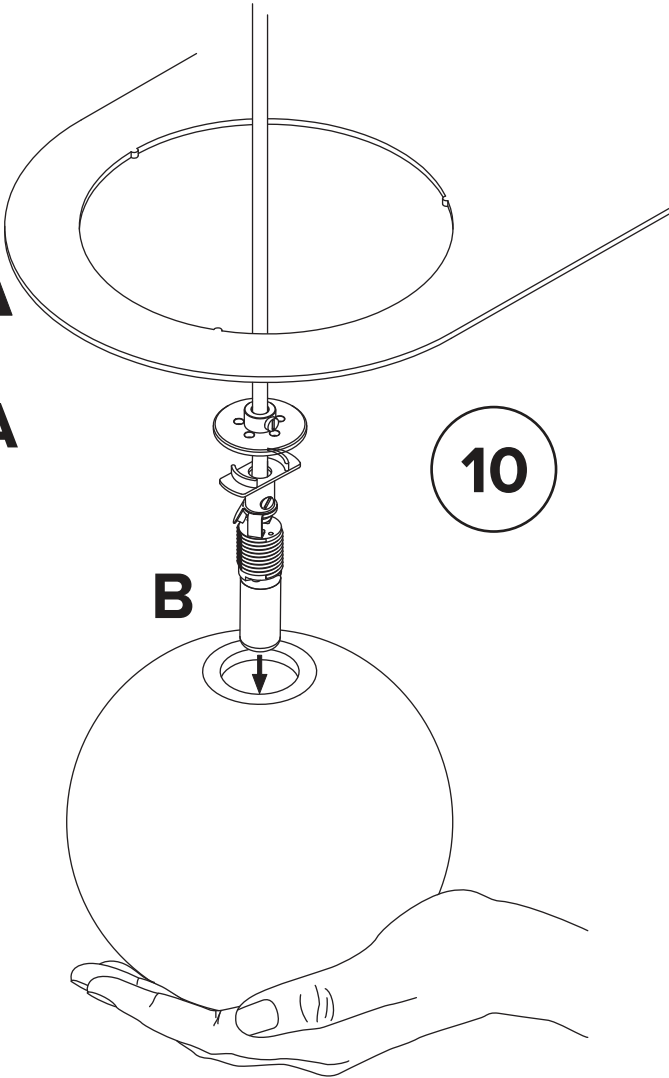


9

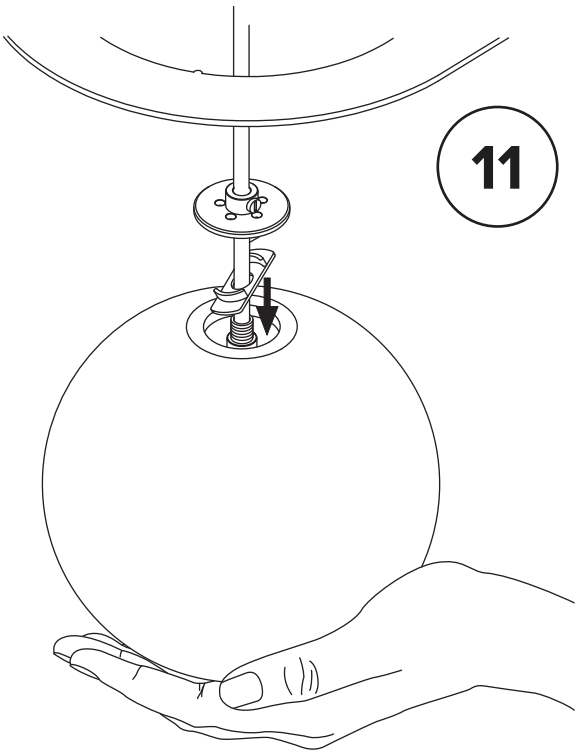


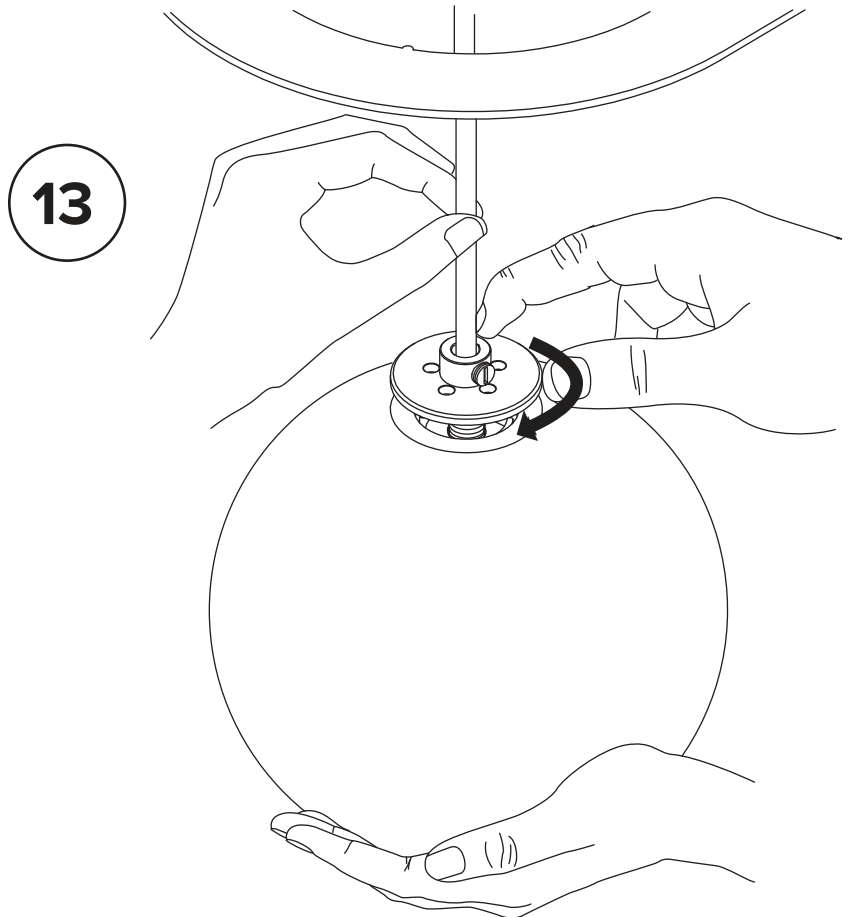
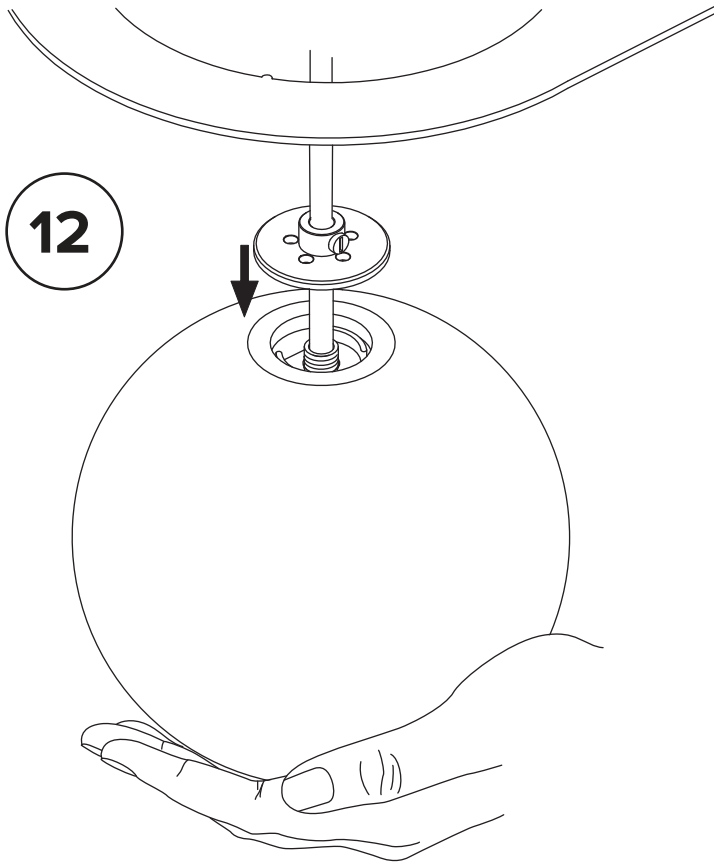
A ↑

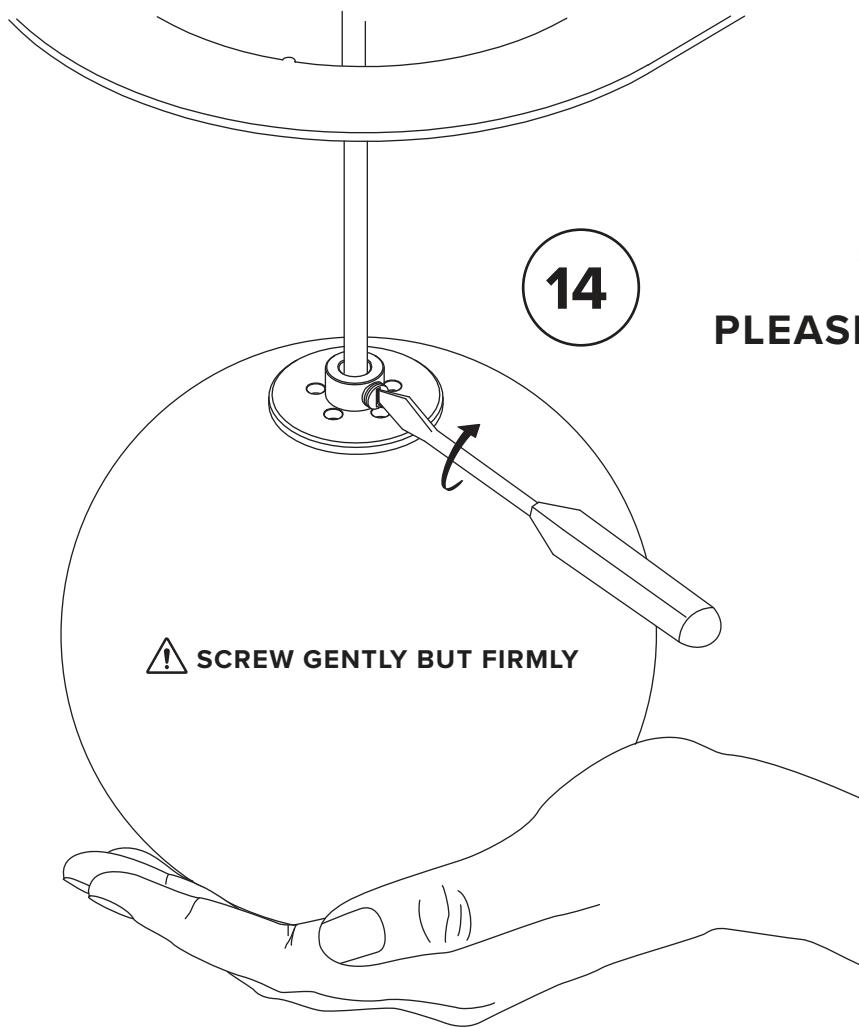
10



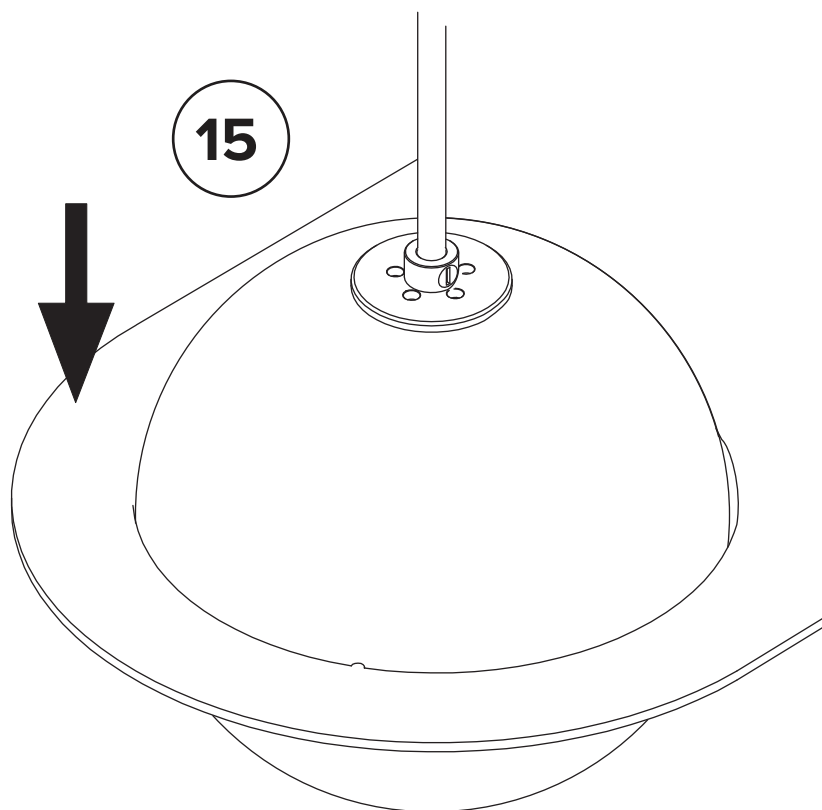
11



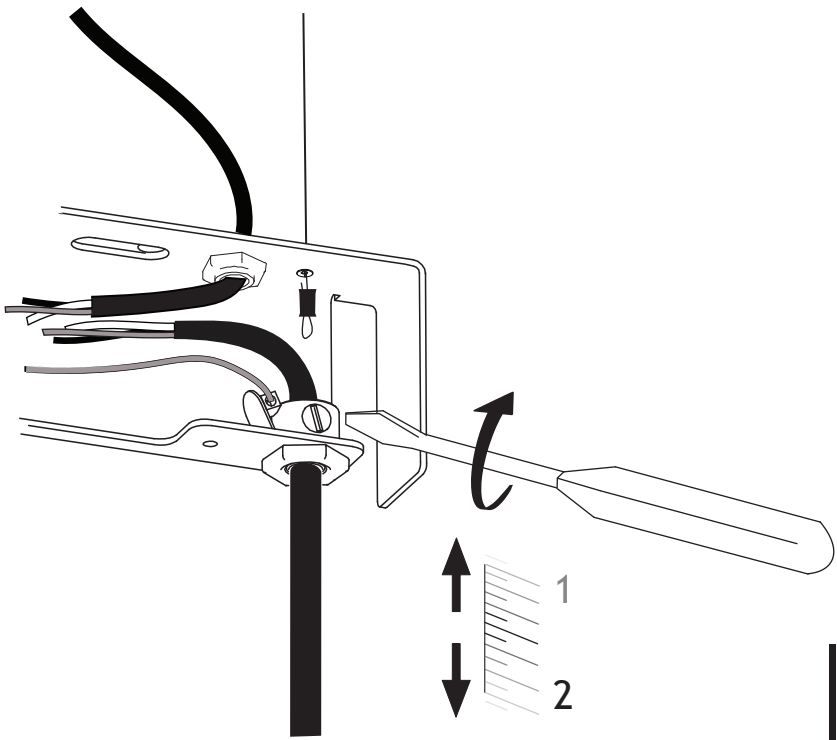




* To ensure safety,
**PLEASE FOLLOW THESE STEPS
CAREFULLY**

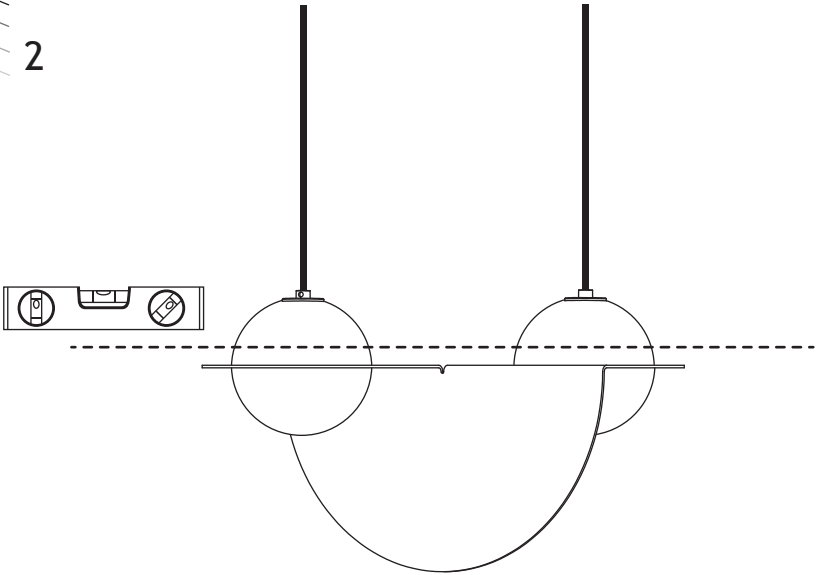
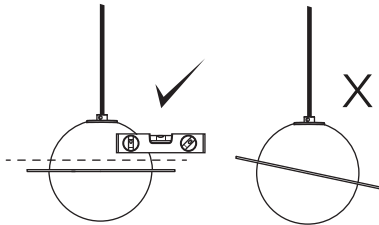


16

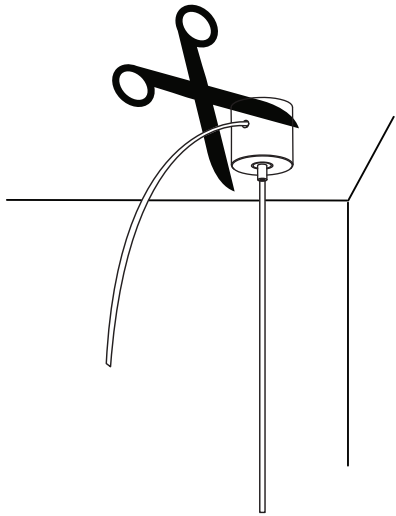


Make sure the globes are level by micro-adjusting the wire lengths.

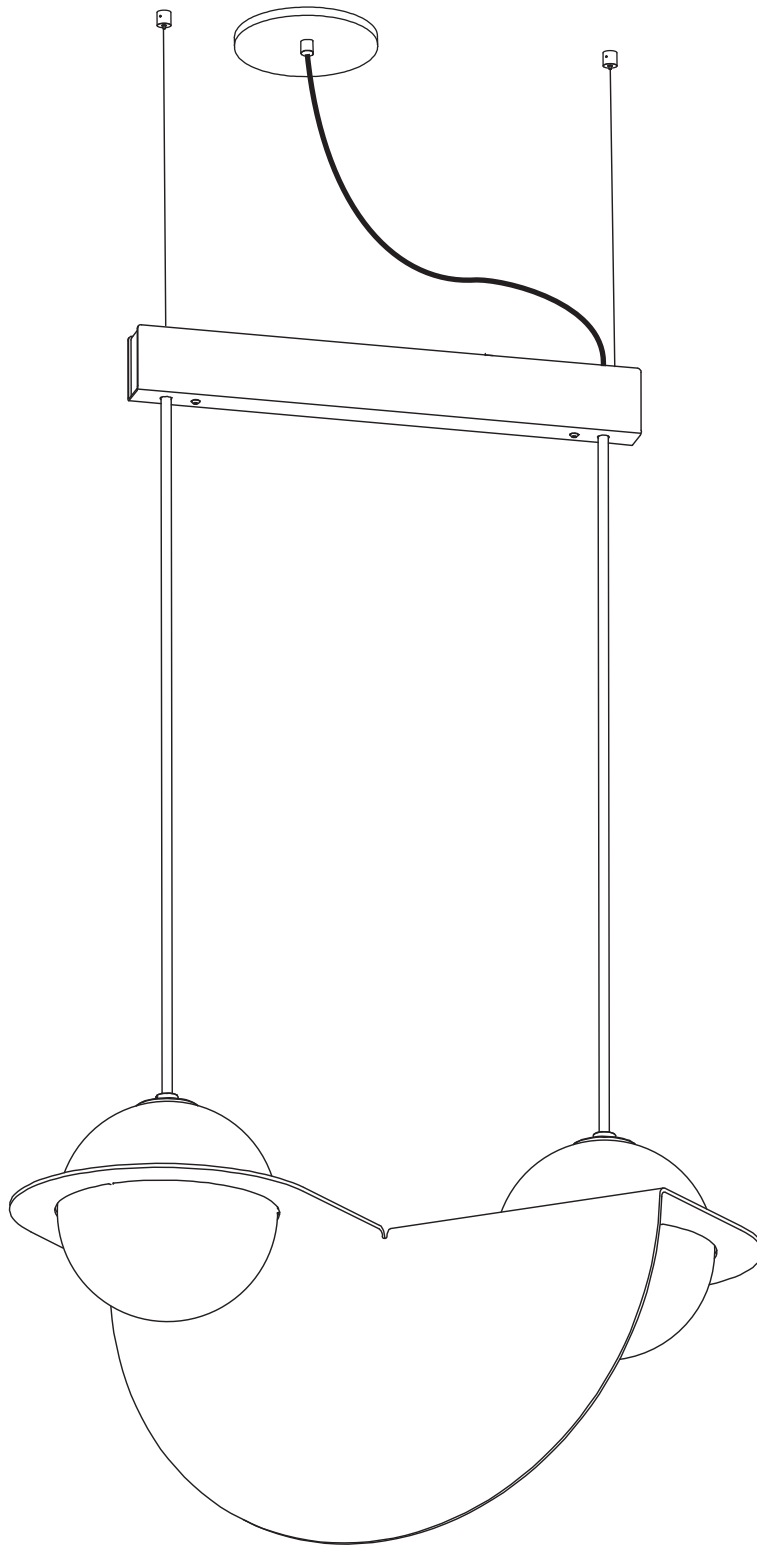
SCREW GENTLY BUT FIRMLY



17



Trim extra cable when desired height and level are achieved.



LAMBERT
& FILS
studio