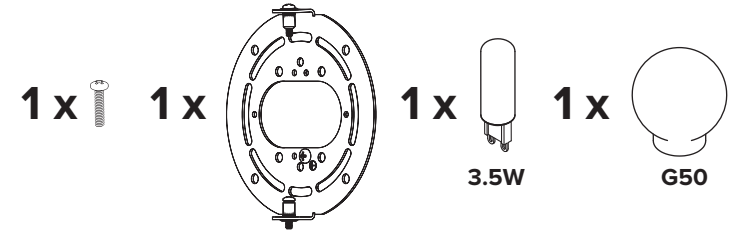
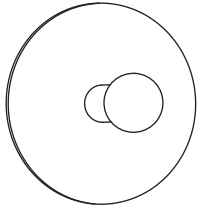
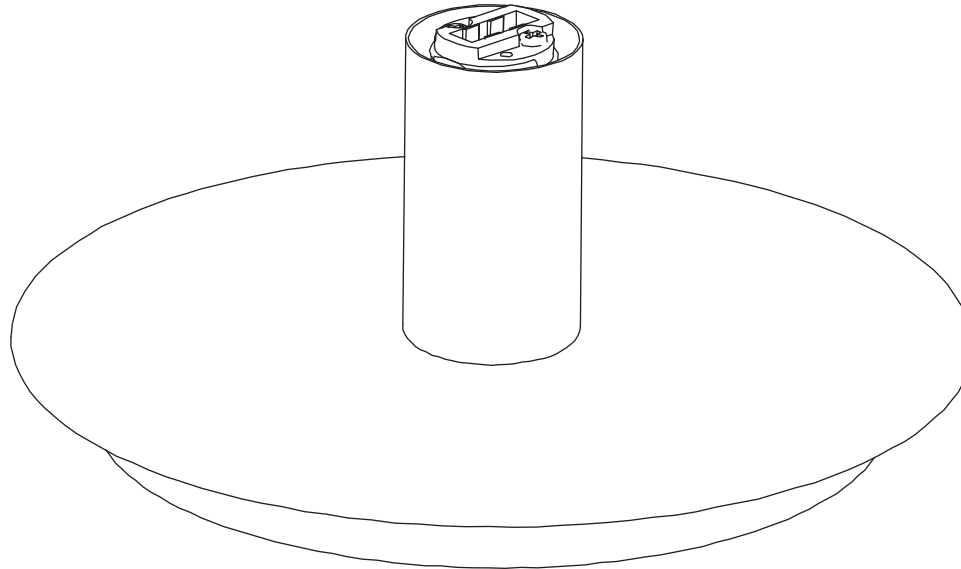
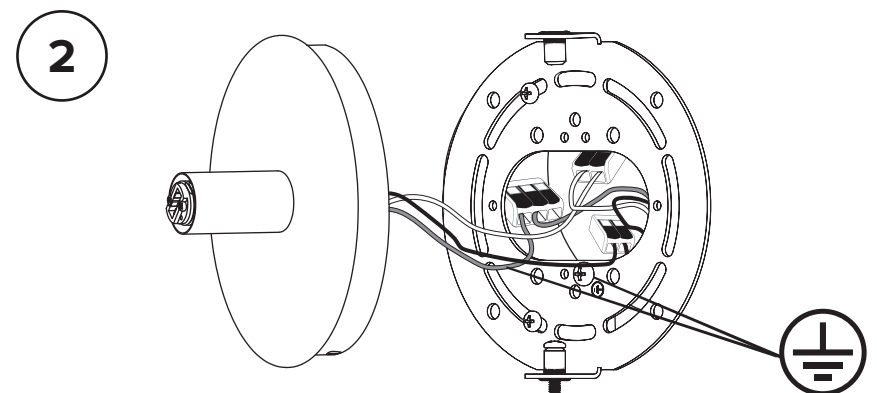
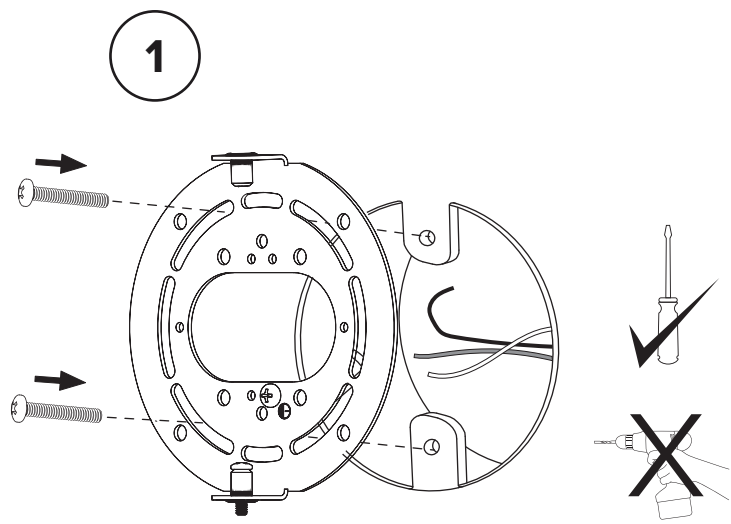


## DOT WALL HARDWARE



- To be installed by an electrician to an electrical box
- Use appropriate screws and anchors where necessary
- Wear enclosed gloves when handling lamp
- Handle materials with care. Please consult lamp maintenance sheet on our web site
- Wall mount only





Make connection

If your electrical box is not grounded, use ground screw and connect to wago.

