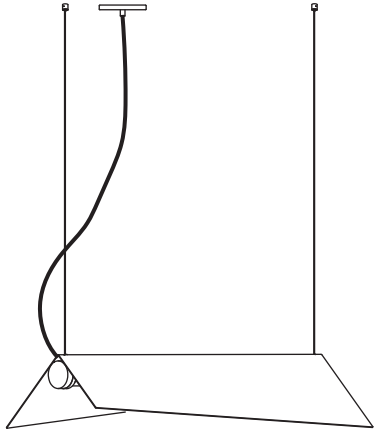


CLARK SUSPENSION

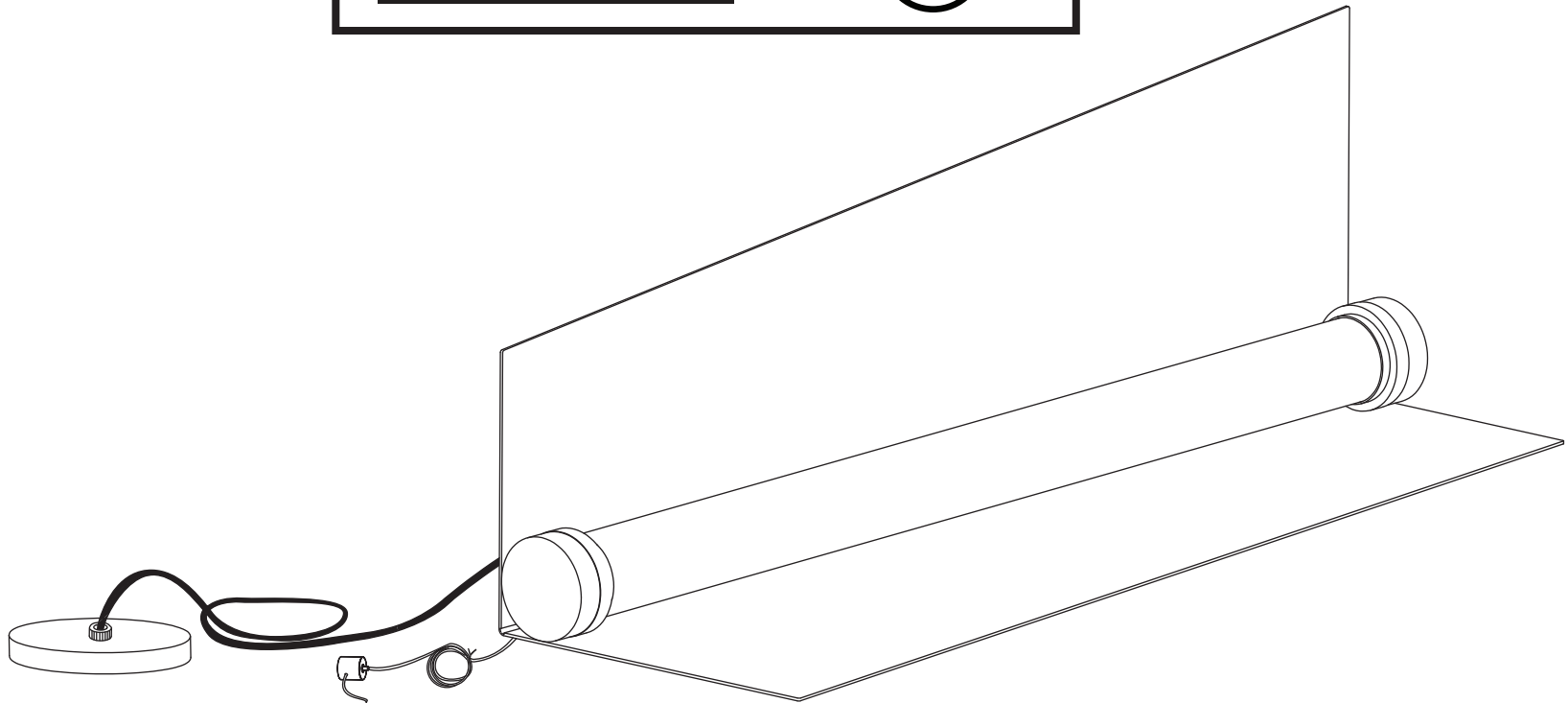


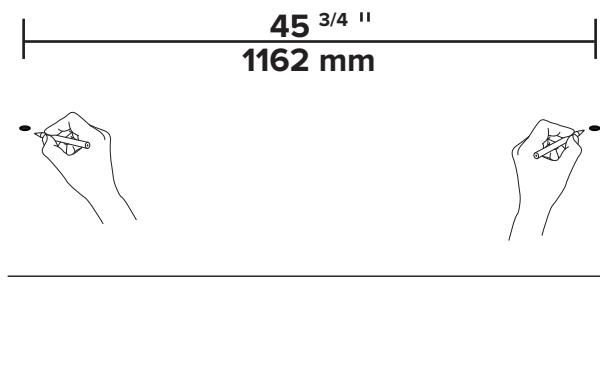
1 x  2 x 



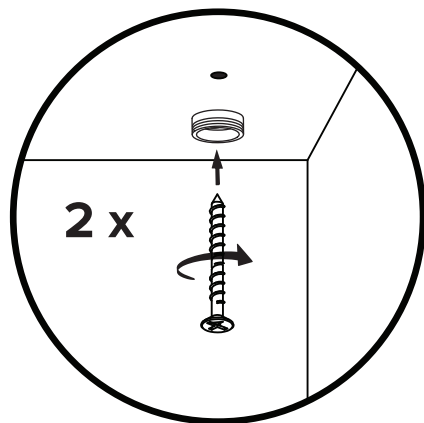
- To be installed by an electrician to an electrical box
- Use appropriate screws and anchors where necessary
- Wear enclosed gloves when handling lamp
- Handle materials with care. Please consult lamp maintenance sheet on our web site

lamp weight **30 lbs.**



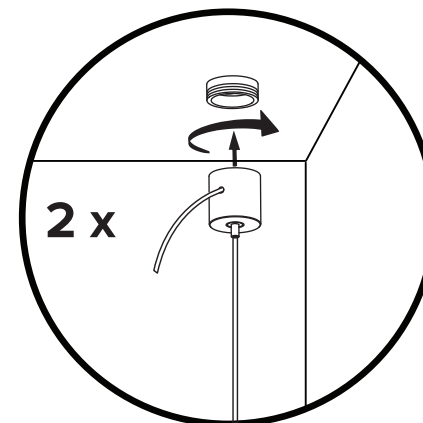
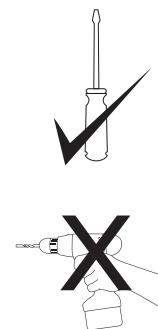


1

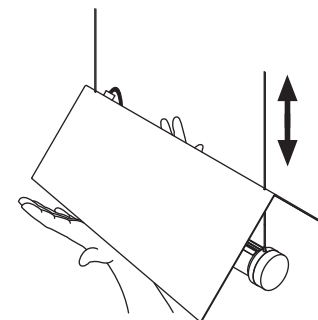
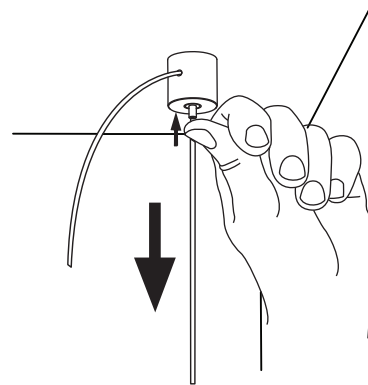
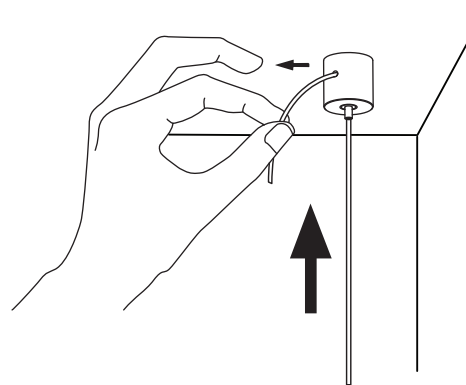
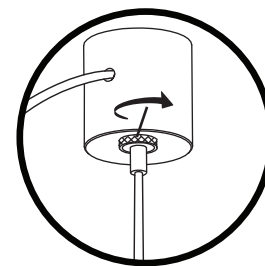
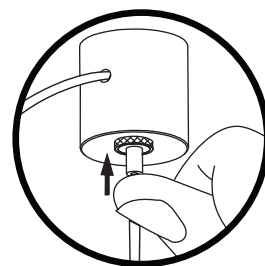
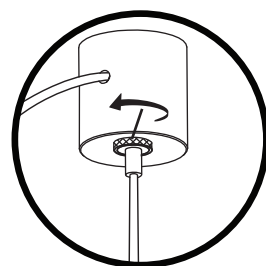
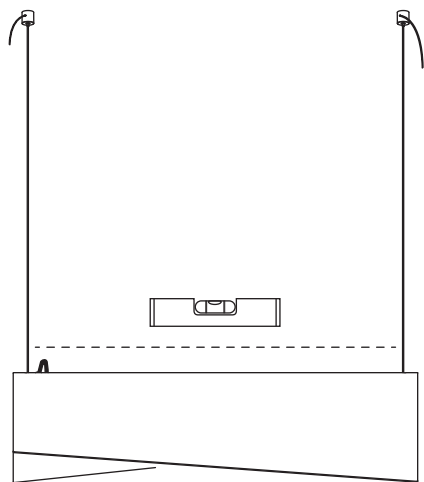


* Use appropriate anchors

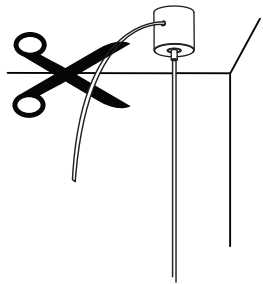
2



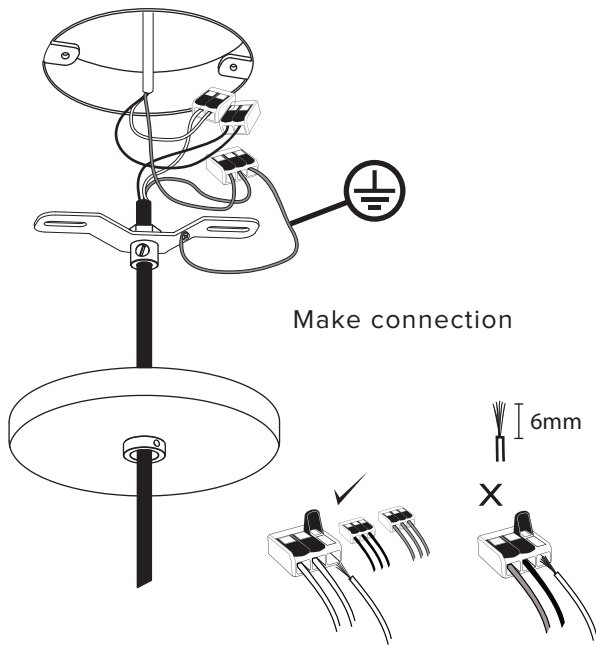
3



4

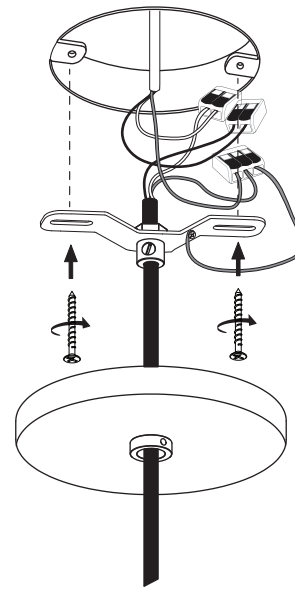


5

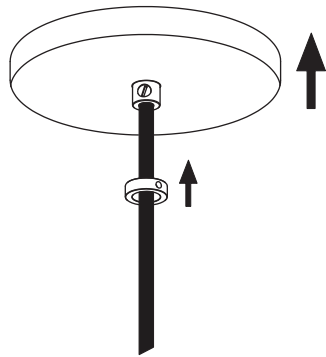


Make connection

6

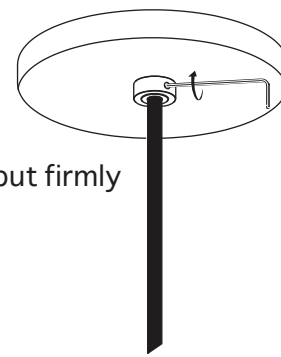


7



8

* Screw gently, but firmly



9

