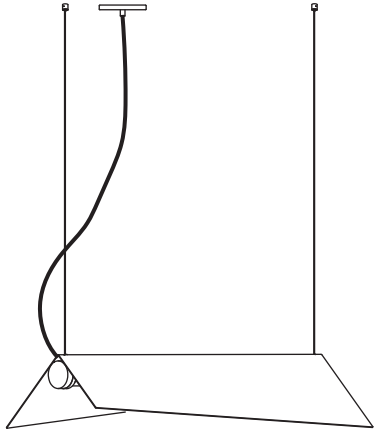


# CLARK SUSPENSION

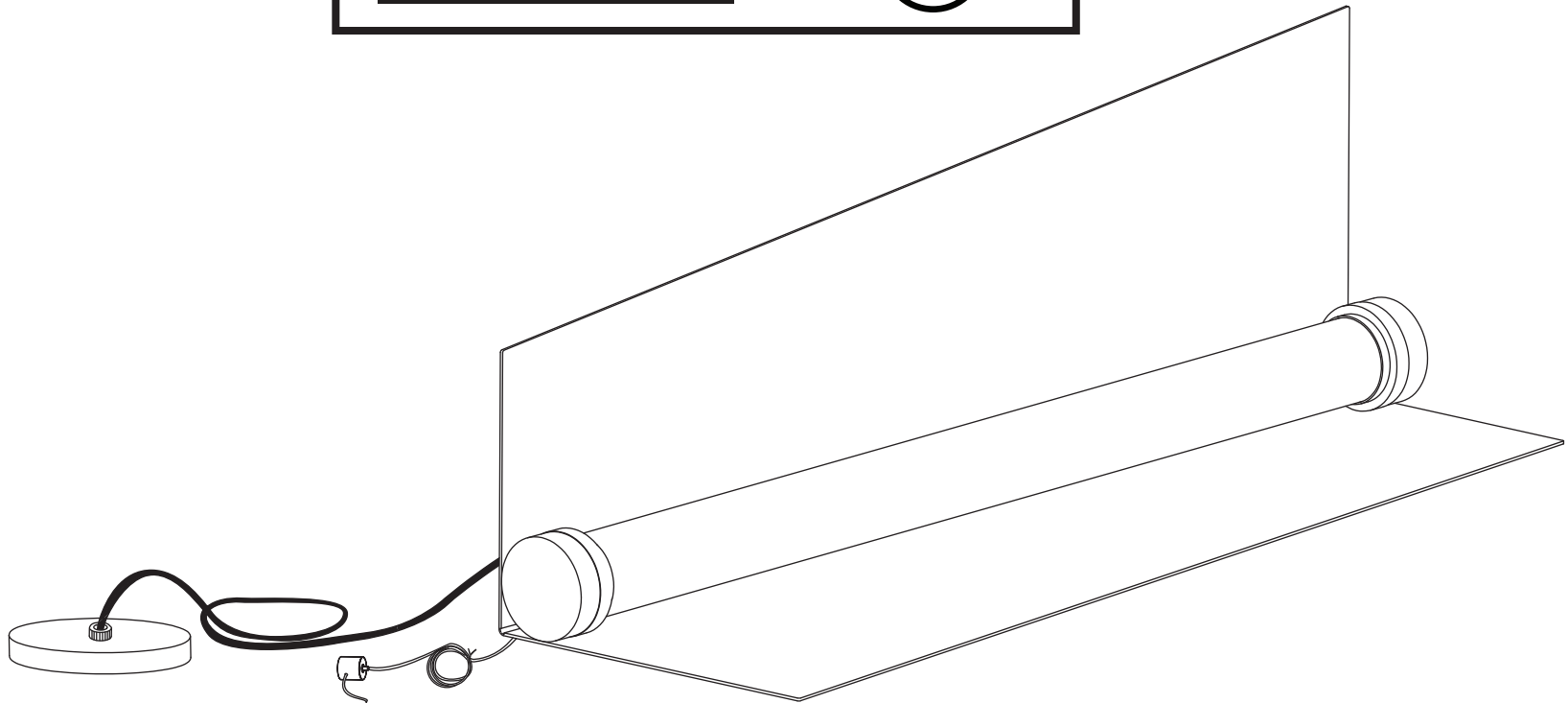


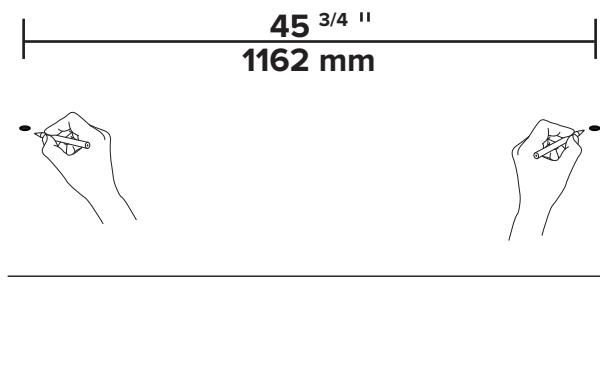
1 x  2 x 



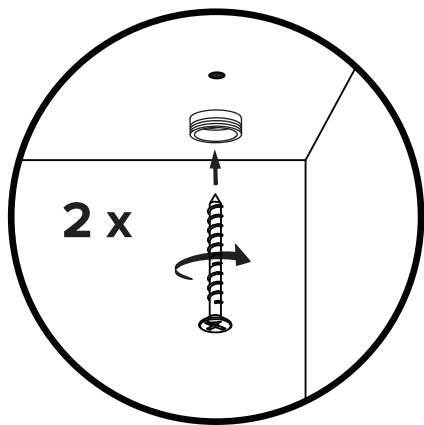
- To be installed by an electrician to an electrical box
- Use appropriate screws and anchors where necessary
- Wear enclosed gloves when handling lamp
- Handle materials with care. Please consult lamp maintenance sheet on our web site

lamp weight 30 lbs.

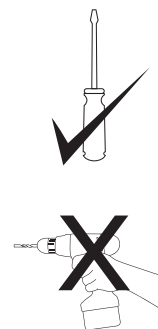




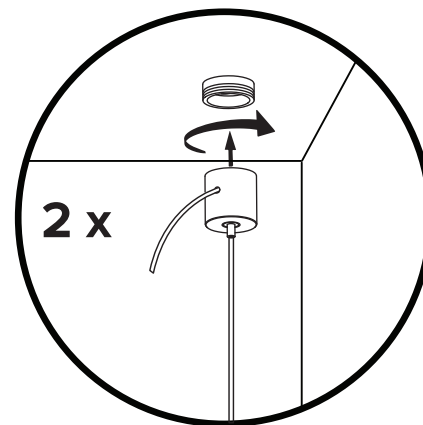
**1**



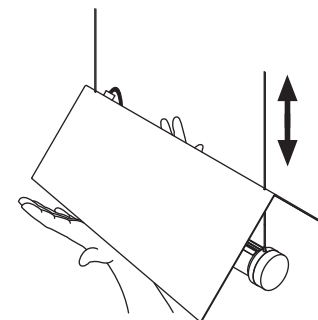
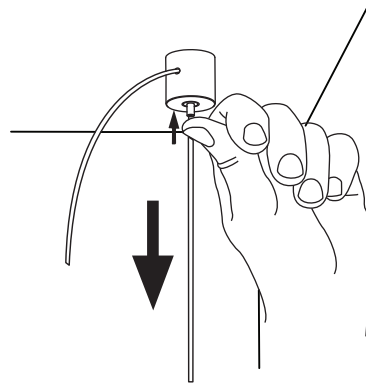
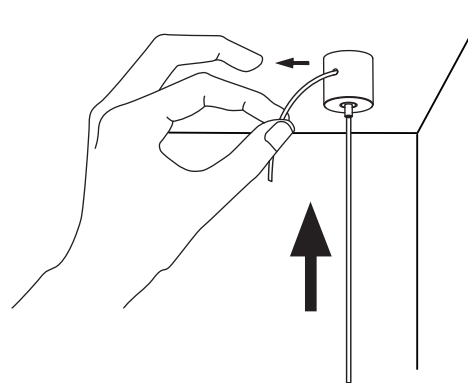
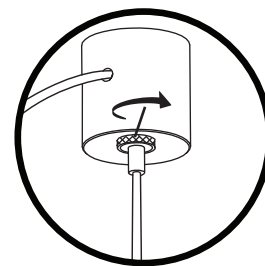
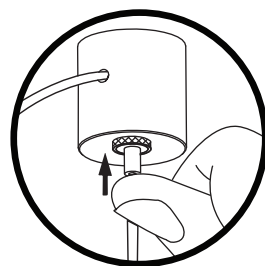
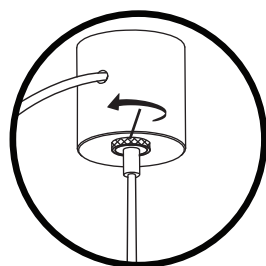
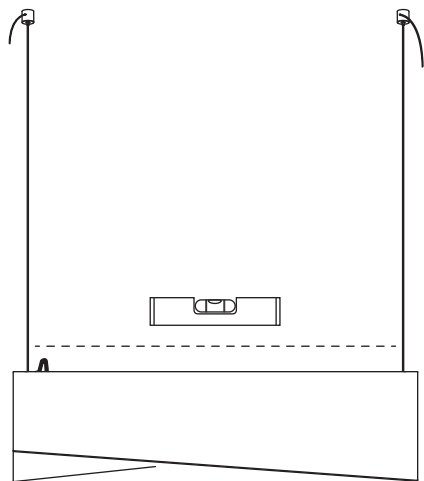
**2**



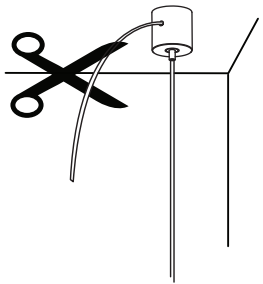
\* Use appropriate anchors



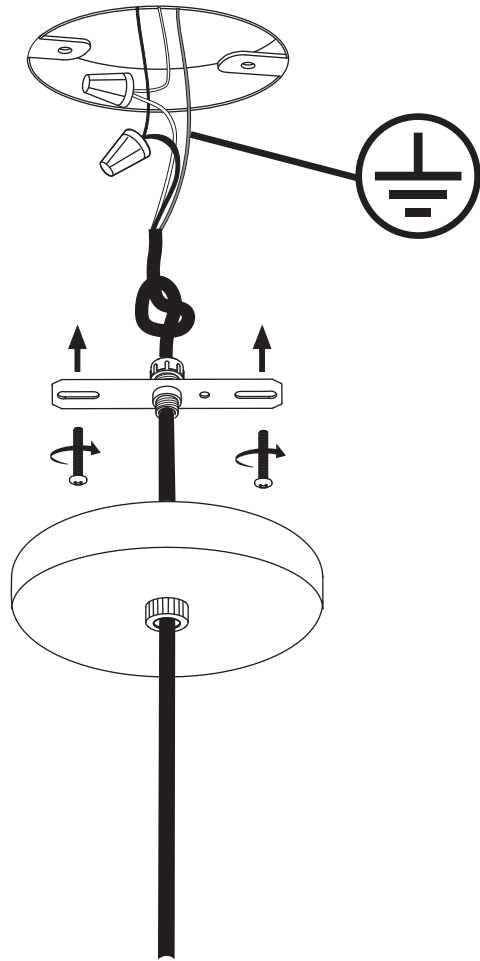
**3**



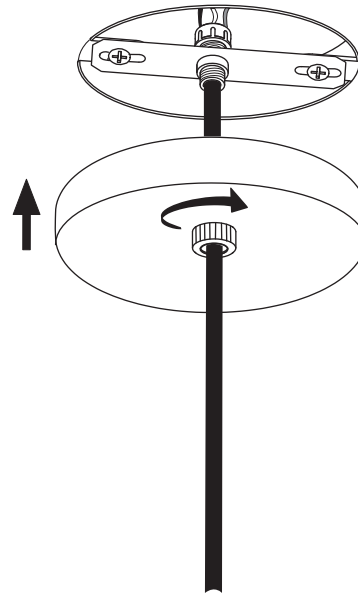
**4**



5



6



7

