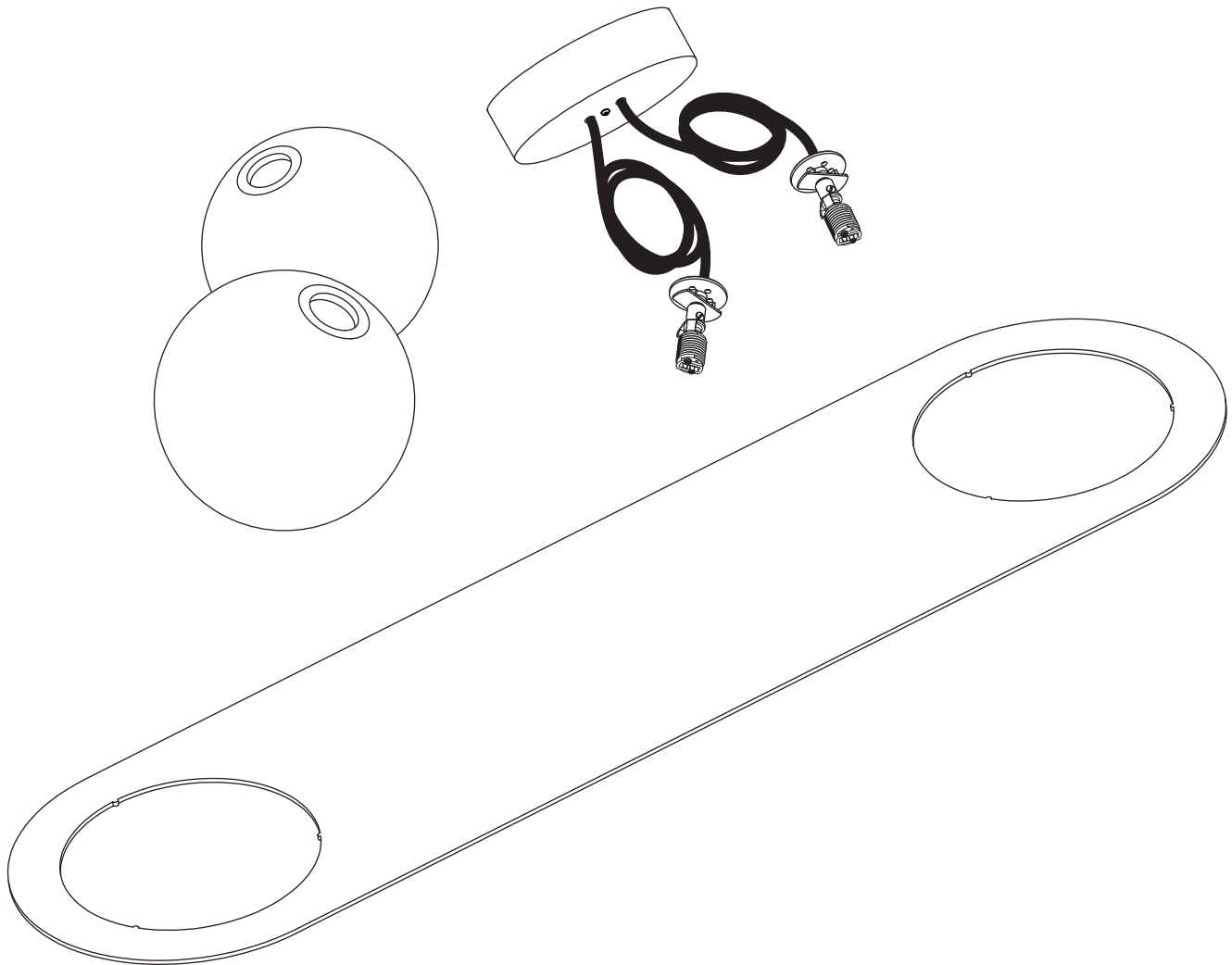
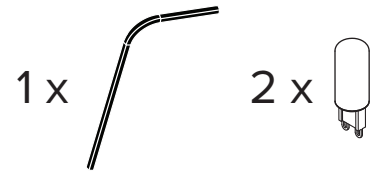


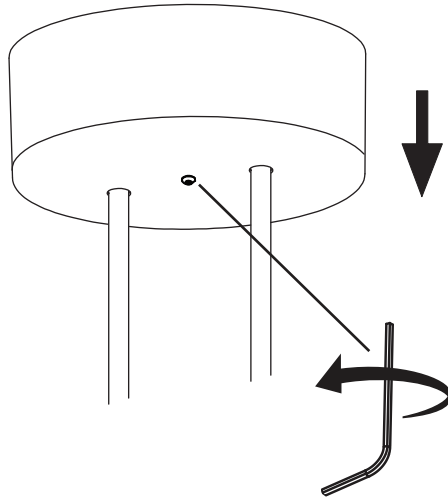
# LAURENT 03



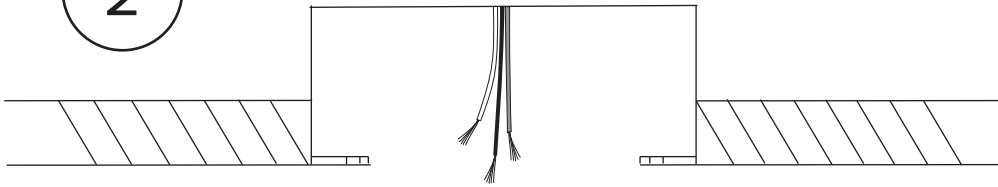
- To be installed by an electrician to an electrical box
- Use appropriate screws and anchors where necessary
- Wear enclosed gloves when handling lamp
- Handle materials with care. Please consult lamp maintenance sheet on our web site
- Should be used exclusively as a lamp and not as a shelving, display or hanging unit



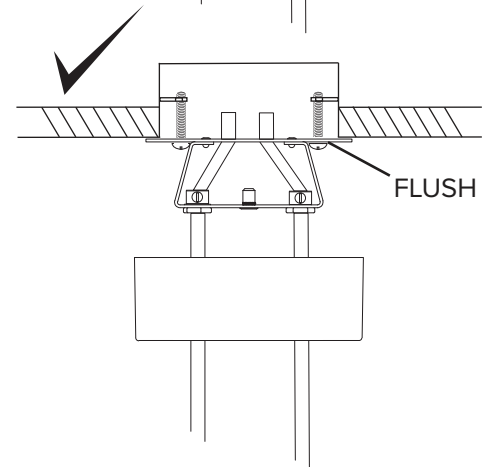
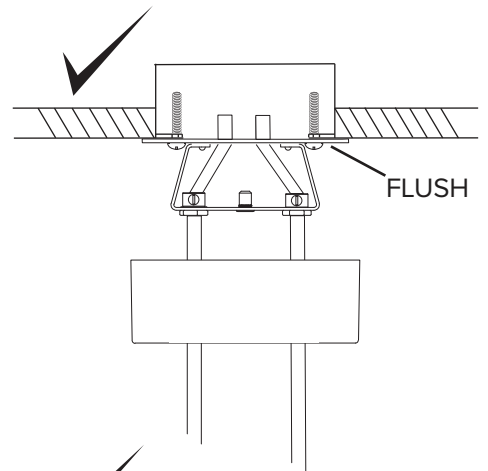
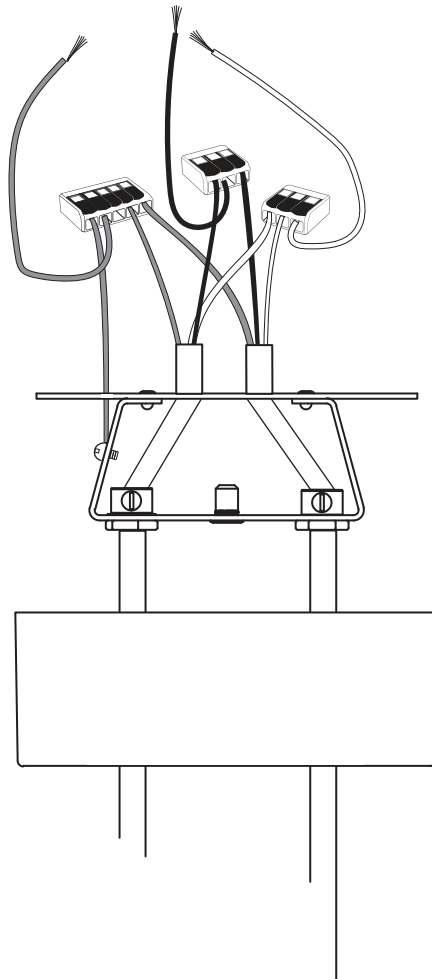
1

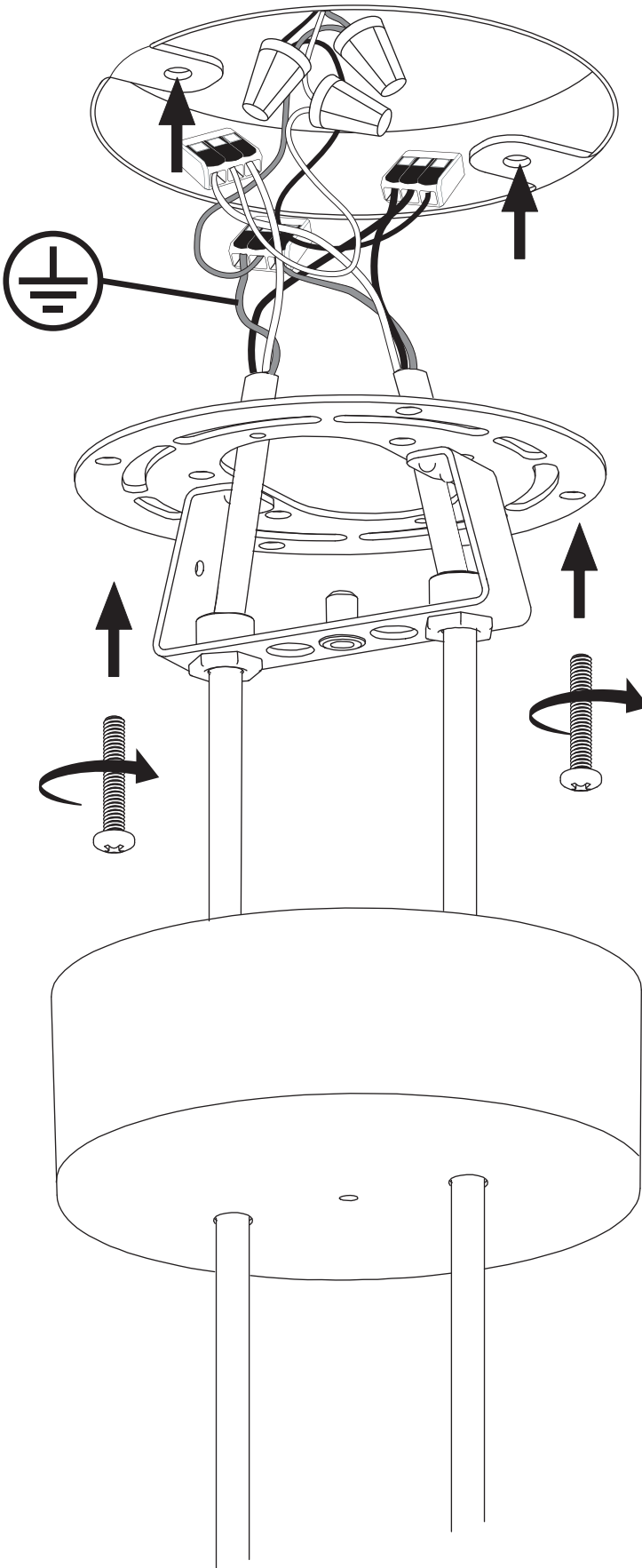


2



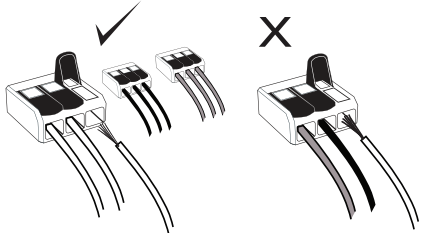
### CONNECTION





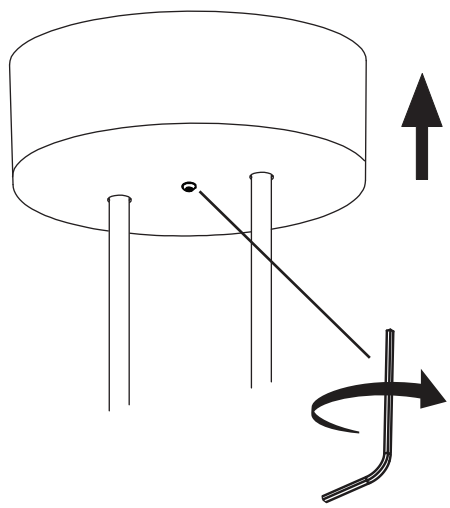
3

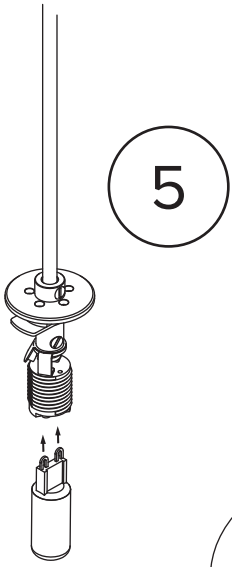
Make connection.  $\frac{1}{4}$ "



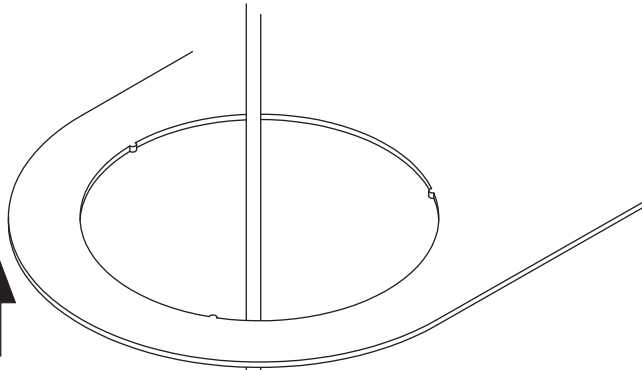
Ensure no wires are scratched or pinched during this operation.

4





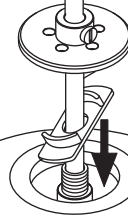
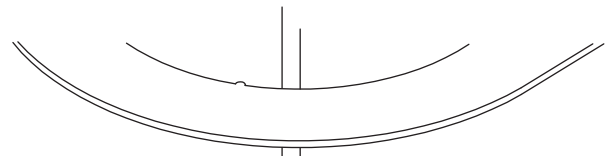
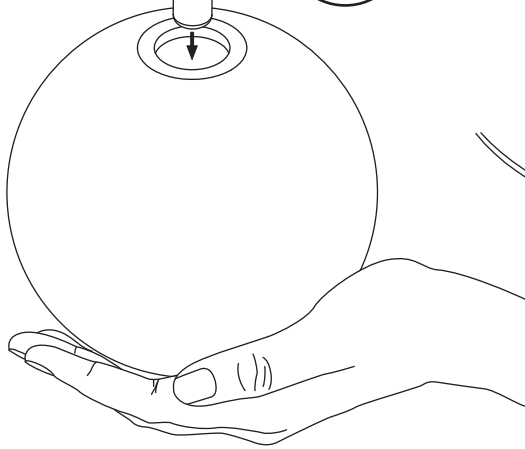
A



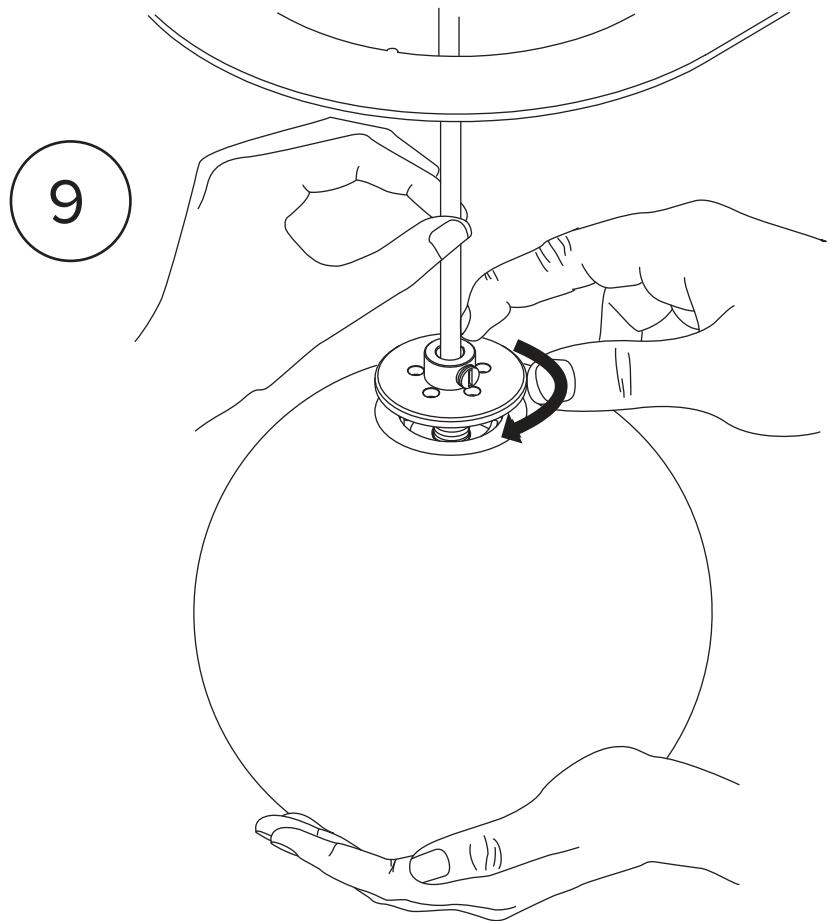
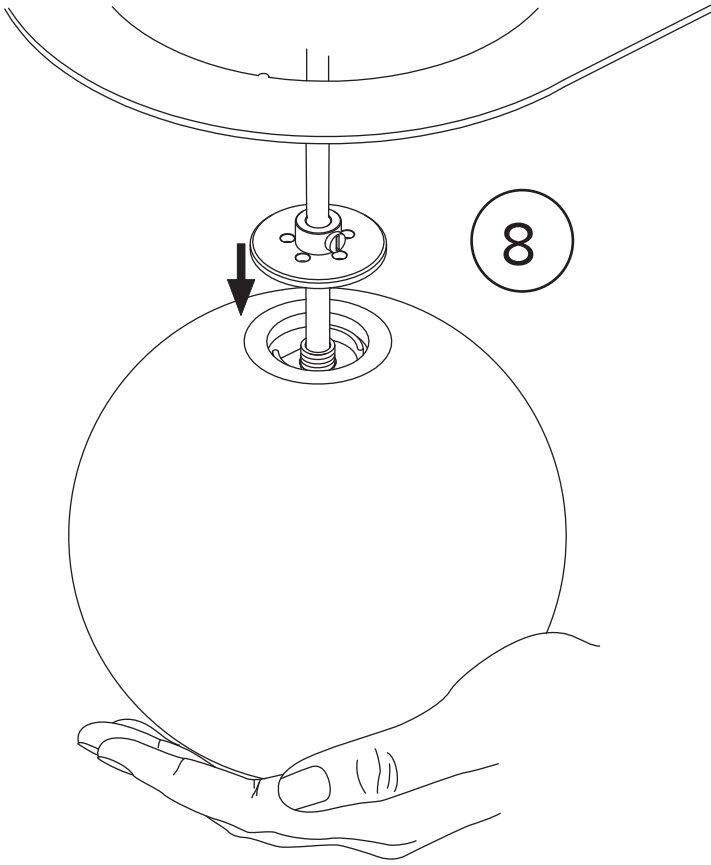
B

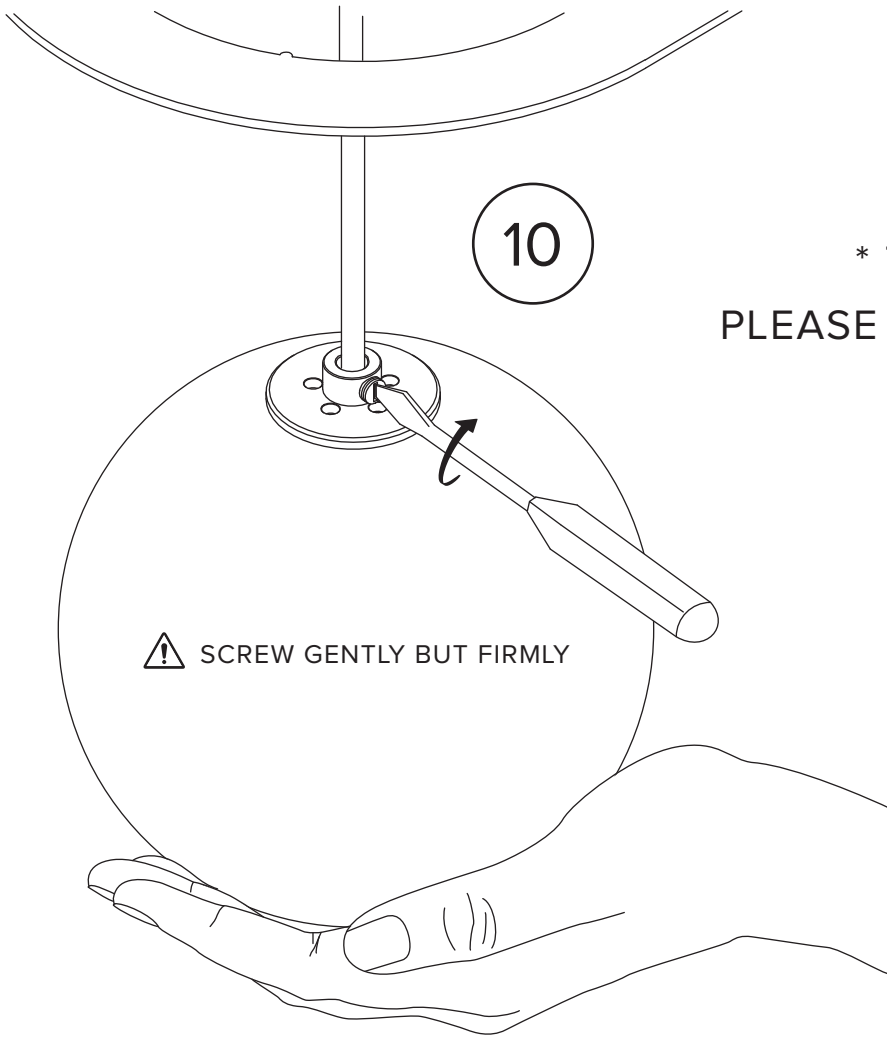


6

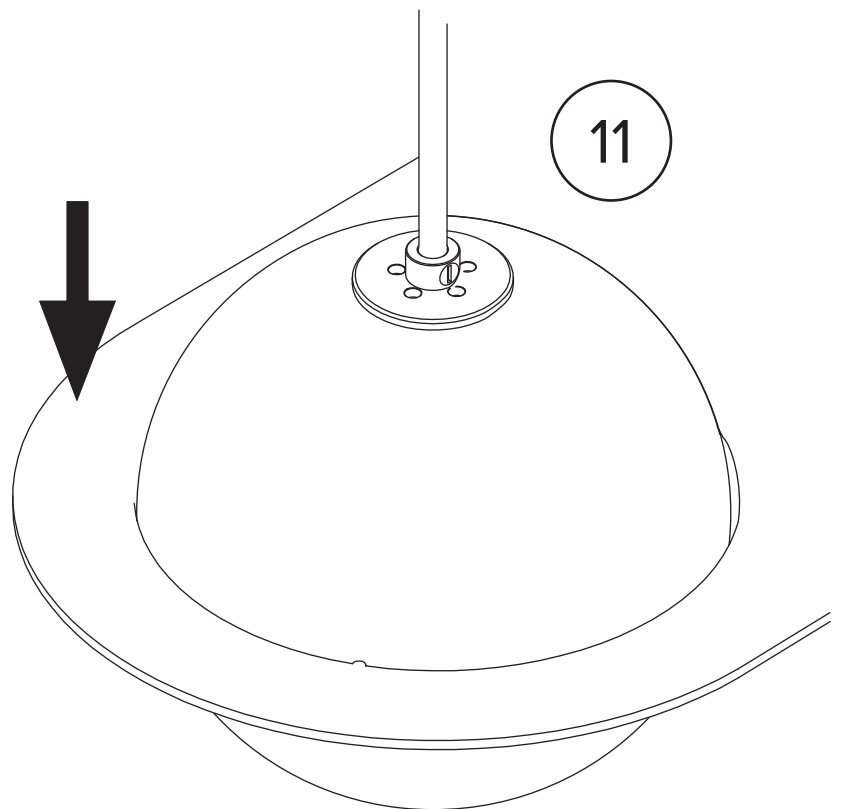


7

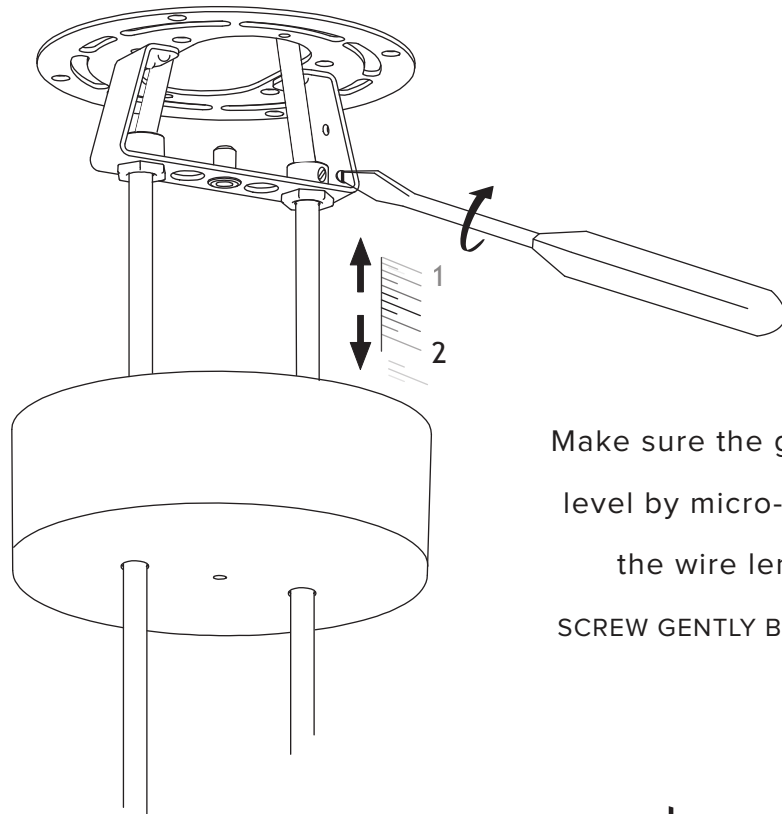




\* To ensure safety,  
PLEASE FOLLOW THESE STEPS  
CAREFULLY



12



Make sure the globes are level by micro-adjusting the wire lengths.

SCREW GENTLY BUT FIRMLY

